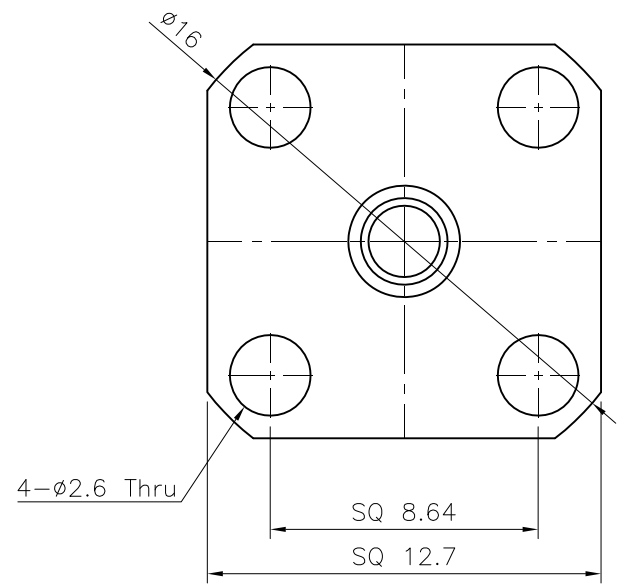
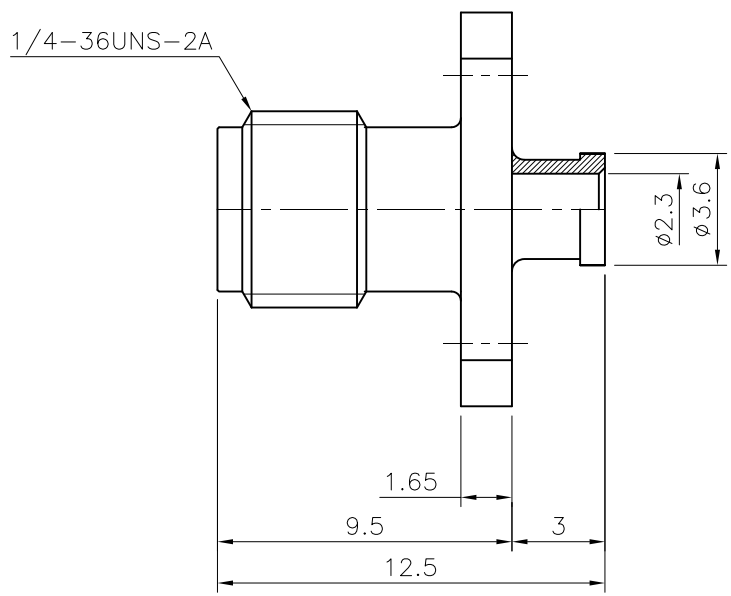


No.	Revision	Date	Name
△	PN Change from 1S-403-00	24/06/2013	S.J.PARK
△			

RoHS Compliant



SMA-FEMALE-4HOLE
Panel Mount/Cable-UT085

Connector parts	Materials	Finish
Body	Brass	Gold Plated
Center contact	Beryllium copper	Gold Plated
Insulator	PTFE	-

CUSTOMER

NO.	DESCRIPTION	Q'TY	MATERIAL	FINISH	REMARKS.
PARTS No.	SMA-401-003		NAME	SMA-F4H-085	APPROVED
MATERIAL	FINISH	TOLERANCES OTHERWISE SPEC. ±0.05		ANGLES ±1°	CHECKED
SCALE		UNIT	mm		DESIGNED S.J.LEE
DWG NO.		SMA-401-003		DATE.	2001/12/03

