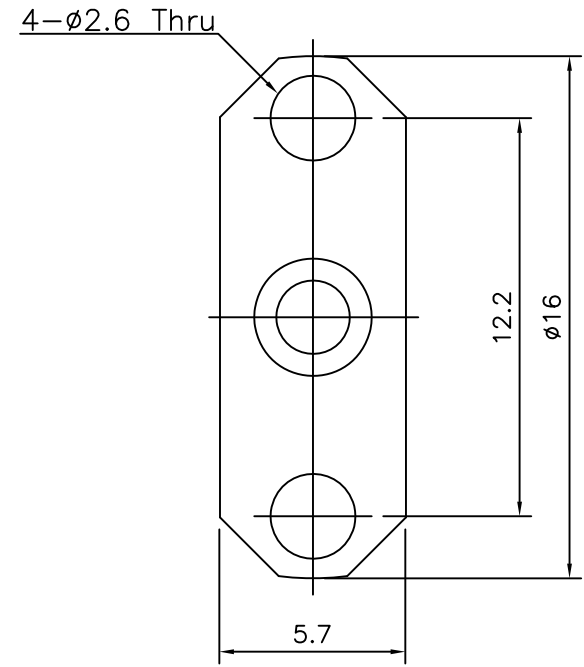
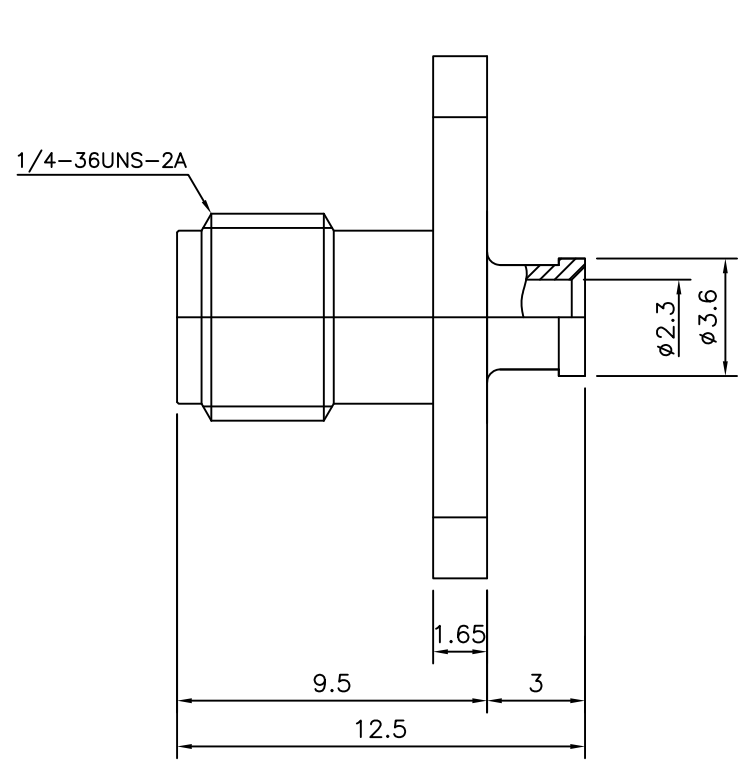


| 4 | 5 | 6 | |
|-----|--------------------------|-------------|----------|
| No. | Revision | Date | Name |
| △ | PN Change from 1S-405-00 | 10/FEB/2014 | S.J.PARK |
| △ | | | |

RoHS Compliant



SMA-FEMALE-2H
Panel Mount/Cable-UT085

| Connector parts | Materials | Finish |
|-----------------|------------------|-------------|
| Body | Brass | Gold Plated |
| Center contact | Beryllium copper | Gold Plated |
| Insulator | PTFE | - |

CUSTOMER

| NO. | DESCRIPTION | Q'TY | MATERIAL | FINISH | REMARKS. |
|-------------|-------------|-------------------------------------|--------------|-------------|---------------------|
| PARTS No. | SMA-401-004 | NAME | SMA-F-2H-085 | | APPROVED |
| MATERIAL | FINISH | TOLERANCES OTHERWISE SPEC. ±0.05 | | ANGLES ±1° | CHECKED |
| | | SCALE | UNIT mm | | DESIGNED S.J.LEE |
| DONGJIN TI. | | DWG NO. | | SMA-401-004 | DATE. 2001/12/03 |