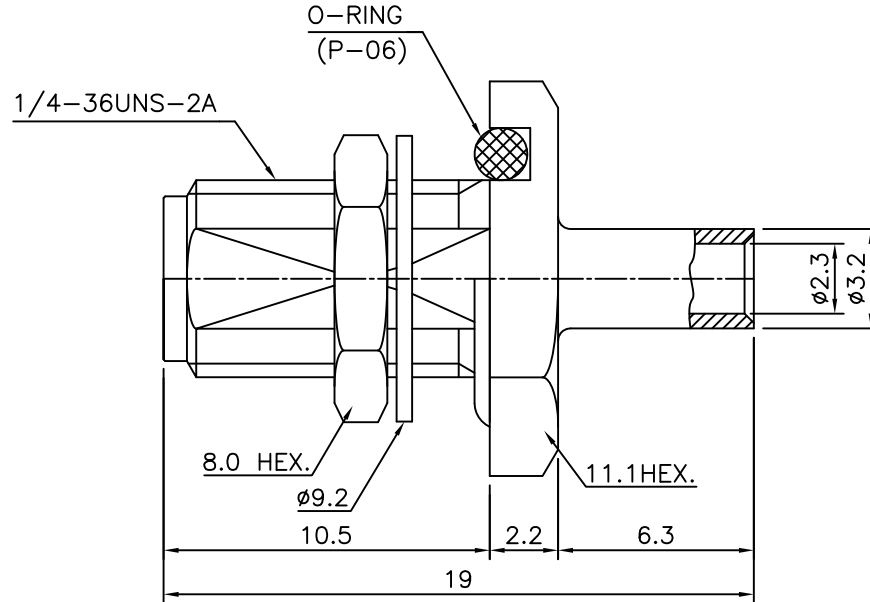
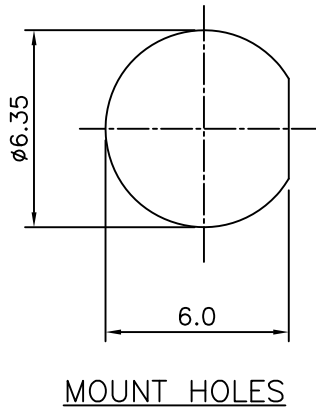


1	2	3	4	5	6
No.		Revision		Date	Name
▲		PN Change from 1S-401S-3210		08/JUN/2014	S.J.PARK
▲					

SPECIFICATIONS.

- 1.1 Impedance: 50ohm
- 1.2 Frequency Range: DC TO 18GHz
- 1.3 Working Voltage rating: 335 Vrms
- 1.4 Dielectric Withstanding Voltage: 1000 Vrms
- 1.5 VSWR: 1.2:1 Max
- 1.6 Insulation Resistance: 5,000 megohms
- 1.7 Connector Durability: 500 mating
- 1.8 Temperature Range: -45°C~+155°C

RoHS Compliant



SMA-Bulkhead JACK with SEAL  
for Cable-UT085

Connector parts	Materials	Finish
Body,Nut,Washer	Stainless steel	Gold Plated
Center contact	Beryllium copper	Gold Plated
Insulator	PTFE	-
O-Ring	Silicone Rubber	-

NO.	DESCRIPTION	Q'TY	MATERIAL	FINISH	REMARKS.
PARTS No.	SMA-401-041		NAME	SMA-BJ-085SEAL	APPROVED
MATERIAL	FINISH	TOLERANCES OTHERWISE SPEC. ±0.05 ANGLES ±1°		CHECKED	
SCALE		UNIT	mm		DESIGNED
					S.J.LEE
DWG NO.		SMA-401-041		DATE.	
				17/APR/2012	

CUSTOMER

