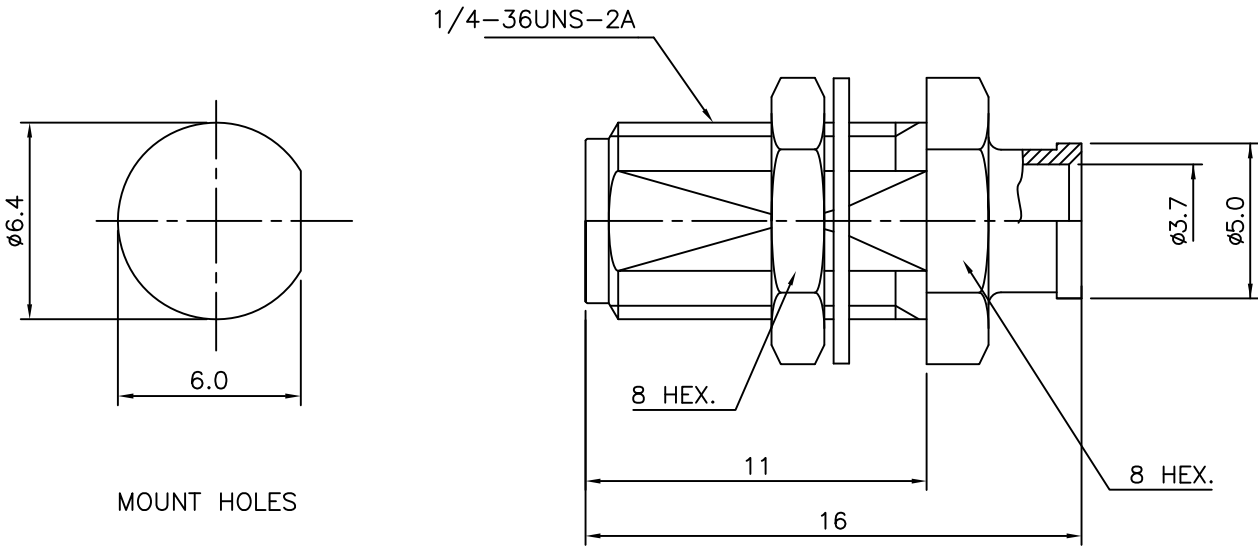


4	No.	Revision	Date	Name
	△	PN Change from 1S-402-00	18/11/2013	B.G.YUN
	△			

RoHS Compliant



SMA-Bulkhead JACK  
for Cable-UT141

Connector parts	Materials	Finish
Body,Nut	Brass	Gold Plated
Center contact	Beryllium copper	Gold Plated
Lock washer	Stainless steel	Gold Plated
Insulator	PTFE	-

CUSTOMER

NO.	DESCRIPTION	Q'TY	MATERIAL	FINISH	REMARKS.
PARTS No.	SMA-402-001		NAME	SMA-BJ-141	APPROVED
MATERIAL	FINISH	TOLERANCES OTHERWISE SPEC. ±0.05		ANGLES ±1°	CHECKED
		SCALE	UNIT mm		DESIGNED S.J.LEE
		DWG NO.	SMA-402-001		DATE. 2001.05/22



DONGJIN TI.