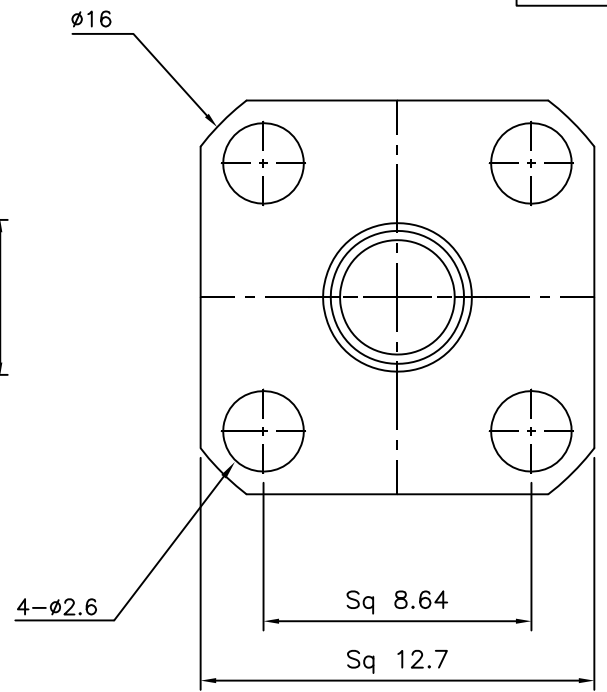
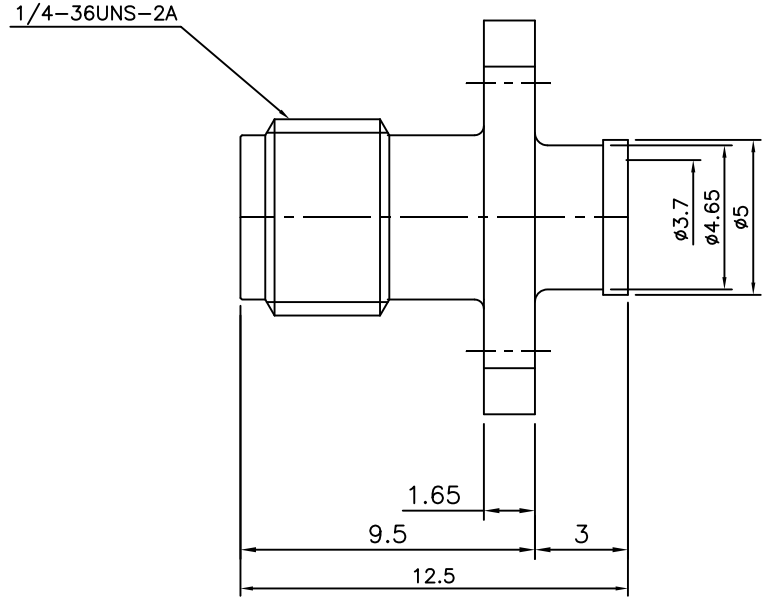


No.	Revision	Date	Name
▲	PN Change from 1S-404-00	20/AUG/2013	S.J.PARK
▲			

RoHS Compliant



SMA-FEMALE-4HOLE  
Panel Mount/Cable-UT141

Connector parts	Materials	Finish
Body	Brass	Gold Plated
Center contact	Beryllium copper	Gold Plated
Insulator	PTFE	-

NO.	DESCRIPTION	Q'TY	MATERIAL	FINISH	REMARKS.
PARTS No.	SMA-402-003		NAME	SMA-F-4H-141	APPROVED
MATERIAL	FINISH	TOLERANCES OTHERWISE SPEC. ±0.05		ANGLES ±1°	CHECKED
SCALE		UNIT	mm		DESIGNED S.J.LEE
DWG NO.		SMA-402-003		DATE. 20/AUG/2013	

CUSTOMER

