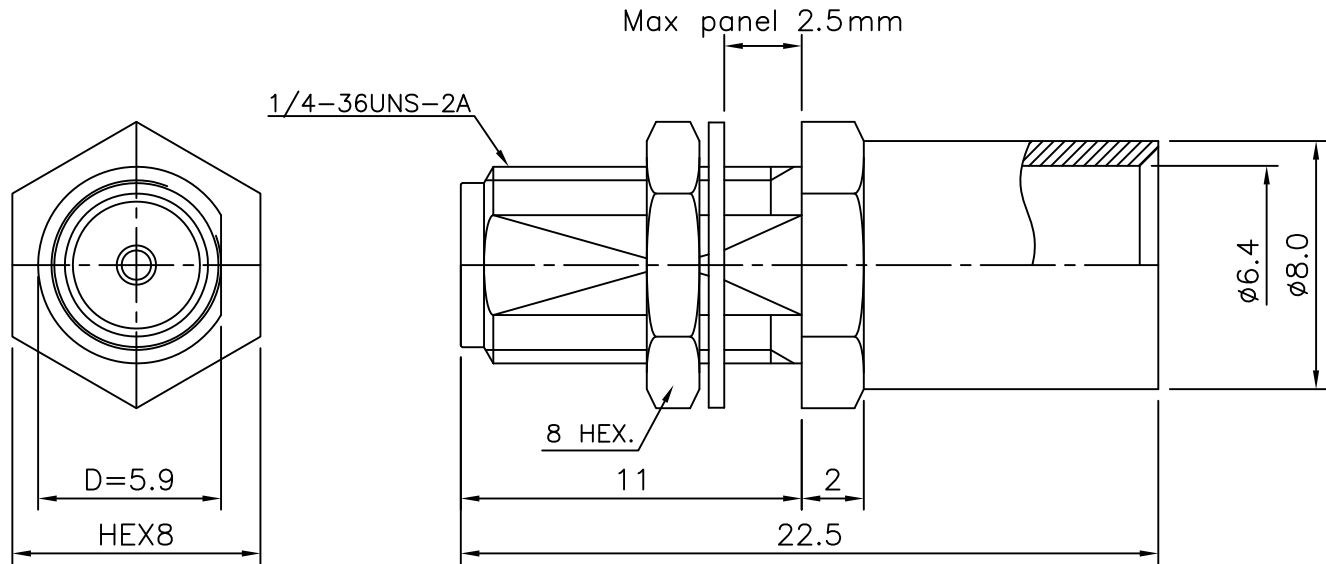


4	No.	Revision	5	Date	6
	▲	PN Change from 1S-402-250		10/FEB/2014	S.J.PARK
	▲				



SMA-Bulkhead JACK
for Cable-UT250

Connector parts	Materials	Finish
Body,Nut,Washer	Brass	Gold Plated
Center contact	Beryllium copper	Gold Plated
Insulator	PTFE	-

NO.	DESCRIPTION	Q'TY	MATERIAL	FINISH	REMARKS.
PARTS No.	SMA-403-001		NAME	SMA-BJ-250	APPROVED
MATERIAL	FINISH	TOLERANCES OTHERWISE SPEC. ±0.05		ANGLES ±1°	CHECKED
SCALE		UNIT	mm		DESIGNED S.J.LEE
DWG NO.		SMA-403-001		DATE.	15/DEC/2008

CUSTOMER

