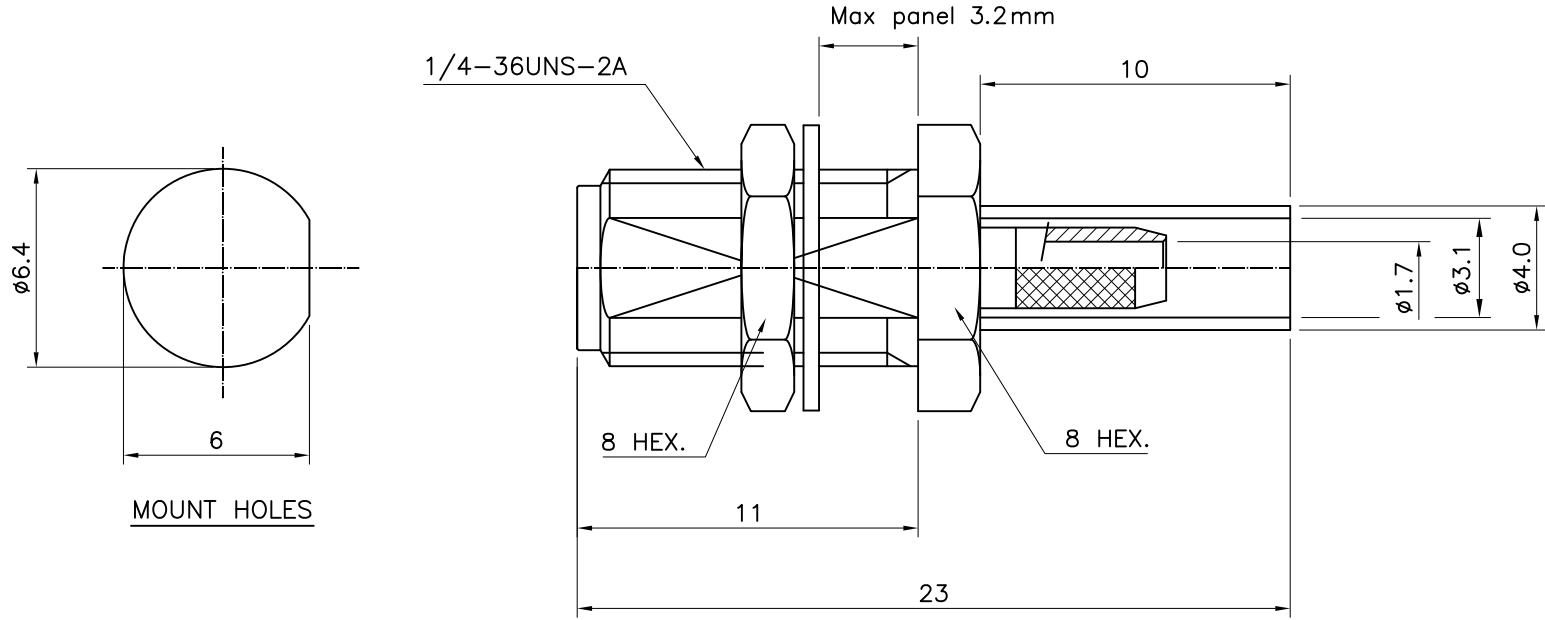


No.	Revision	Date	Name
△	PN Change from 1S-411-00	04/09/2013	B.G.YUN
△			

RoHS Compliant



SMA-Bulkhead JACK
for Cable-RG316,174

Connector parts	Materials	Finish
Body ,Nut	Brass	Gold Plated
Center contact	Beryllium copper	Gold Plated
Insulator	PTFE	-
Ferrule	Brass	Gold Plated
Lock washer	Stainless steel	Gold Plated

NO.	DESCRIPTION	Q'TY	MATERIAL	FINISH	REMARKS.
PARTS No.	SMA-411-001		NAME	SMA-BJ-316	APPROVED
MATERIAL	FINISH	TOLERANCES OTHERWISE SPEC. ±0.05		ANGLES ±1°	CHECKED
SCALE		UNIT	mm		DESIGNED S.J.LEE
DWG NO.		SMA-411-001		DATE.	2001.05/22

CUSTOMER

