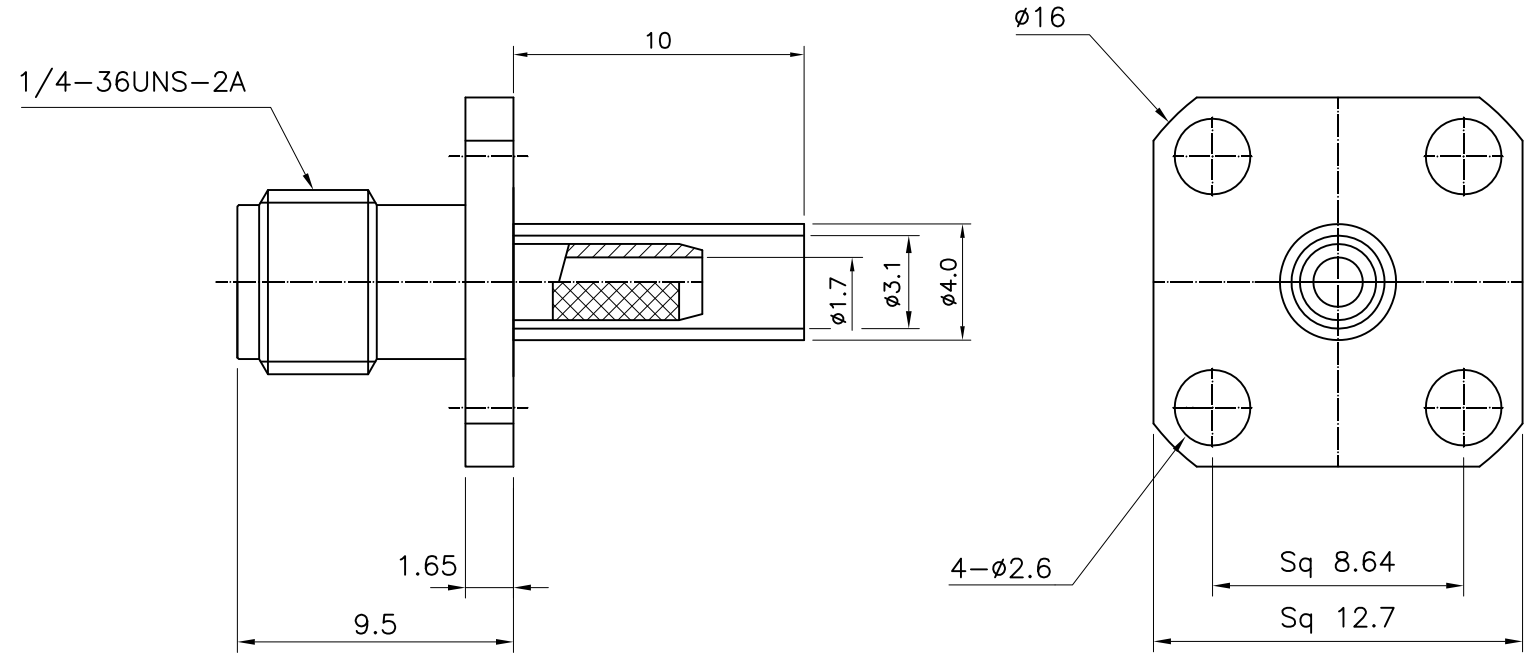


4	5	6	
No.	Revision	Date	Name
△	PN Change from 1S-413-00	21/08/2013	B.G.YUN
△			

D
C
B
A



SMA PANEL-4H JACK
for Cable-RG316

Item	Materials	Plating
Body	Brass	Gold Plated
Center contact	Beryllium copper	Gold Plated
Insulator	TEFLON	-
Ferrule	Brass	Gold Plated

CUSTOMER

NO.	DESCRIPTION	Q'TY	MATERIAL	FINISH	REMARKS.
PARTS No.	SMA-411-003	NAME	SMA-F-4H-316		APPROVED
MATERIAL	FINISH	TOLERANCES OTHERWISE SPEC. ±0.05		ANGLES ±1°	CHECKED
SCALE	N/S	UNIT	mm		DESIGNED S.J.LEE
DWG NO.	SMA-411-003		DATE.		25/7/2001

