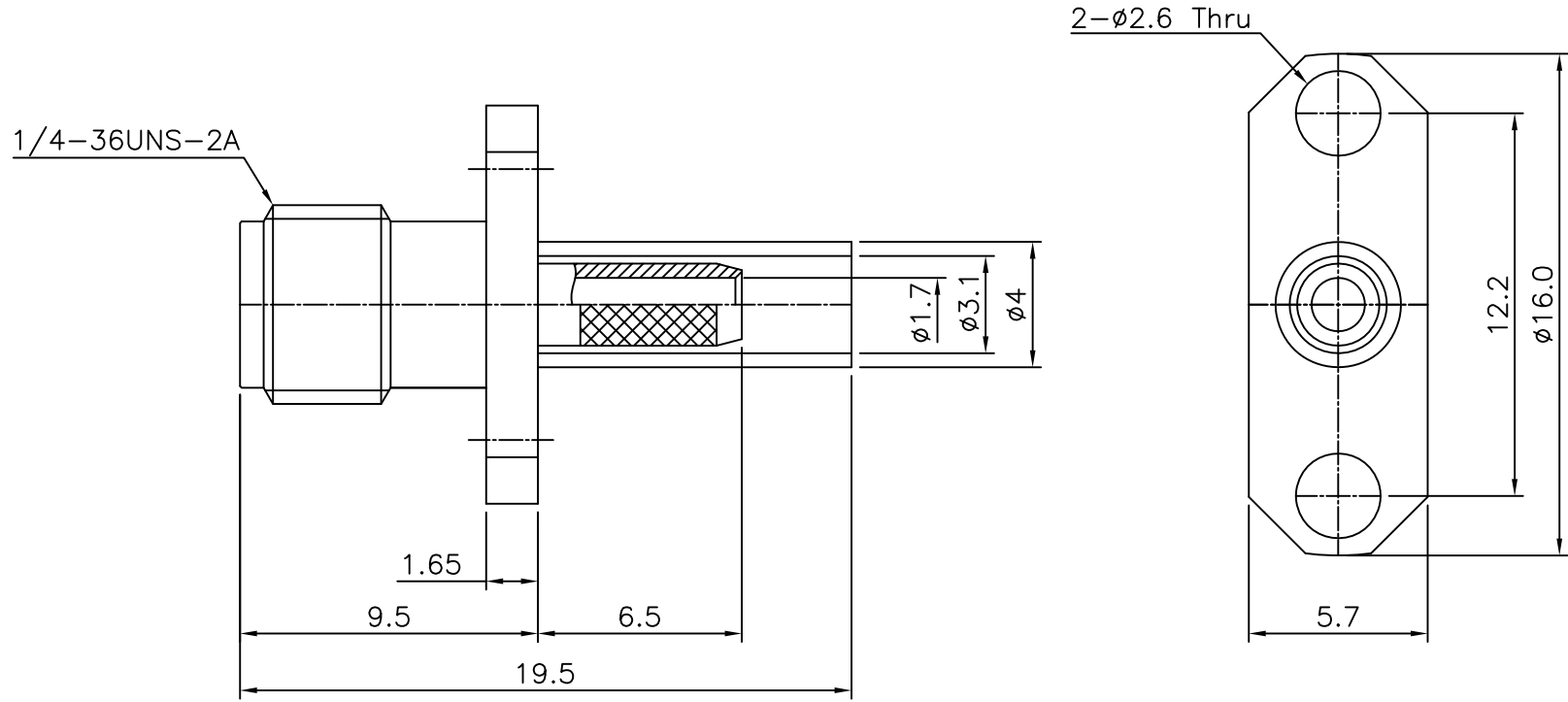


4	No.	Revision	5	Date	6
	△	PN Change from 1S-415-00		10/FEB/2014	S.J.PARK
	△				



SMA PANEL-2H JACK
for Cable-RG316

Item	Materials	Plating
Body	Brass	Gold Plated
Center contact	Beryllium copper	Gold Plated
Insulator	TEFLON	-
Ferrule	Brass	Gold Plated

NO.	DESCRIPTION	Q'TY	MATERIAL	FINISH	REMARKS.
PARTS No. SMA-411-004		NAME SMA-F2H-316		APPROVED	
MATERIAL		FINISH		TOLERANCES OTHERWISE SPEC. ±0.05 ANGLES ±1°	
SCALE N/S		UNIT mm		DESIGNED S.J.LEE	
DWG NO. SMA-411-004		DATE. 25/7/2001			

CUSTOMER

