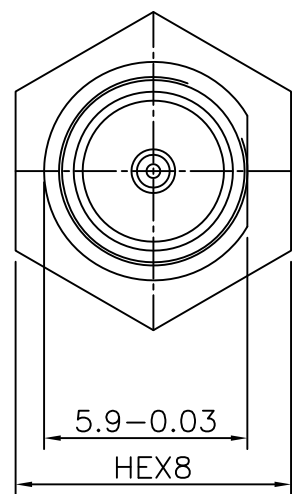
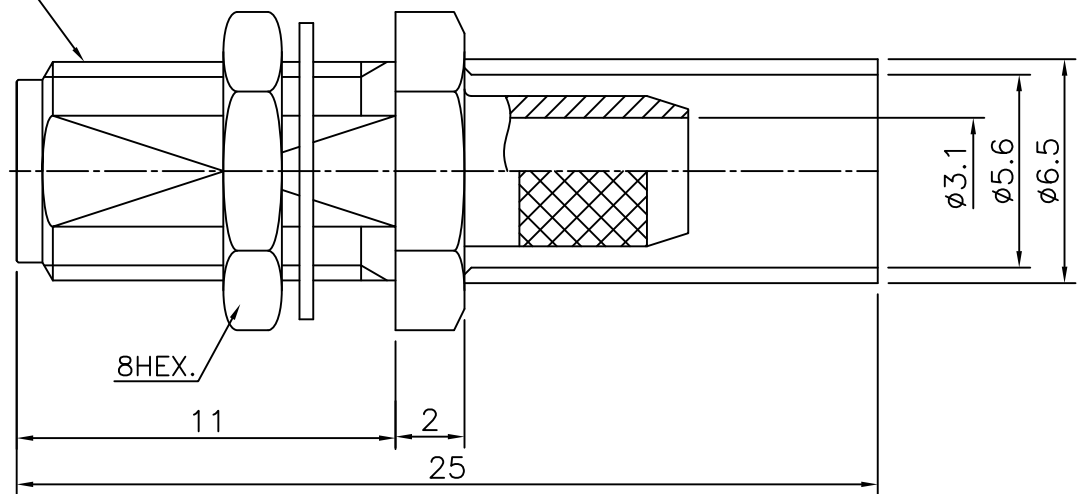


4	No.	Revision	Date	Name
	▲	PN Change from 1S-412-00	10/FEB/2014	S.J.PARK
	▲			

RoHS Compliant



1/4-36UNS-2A



SMA-Bulkhead JACK
for Cable-RG400,223

Connector parts	Materials	Finish
Body	Brass	Gold Plated
Center contact	Beryllium copper	Gold Plated
Insulator	PTFE	-
Ferrule	Brass	Gold Plated

NO.	DESCRIPTION	Q'TY	MATERIAL	FINISH	REMARKS.
PARTS No.	SMA-412-001		NAME	SMA-B/H JACK400	APPROVED
MATERIAL	FINISH	TOLERANCES OTHERWISE SPEC. ±0.05		ANGLES ±1°	CHECKED
SCALE		UNIT	mm		DESIGNED S.J.LEE
DWG NO.		SMA-412-001		DATE.	09/OCT/2007

CUSTOMER

