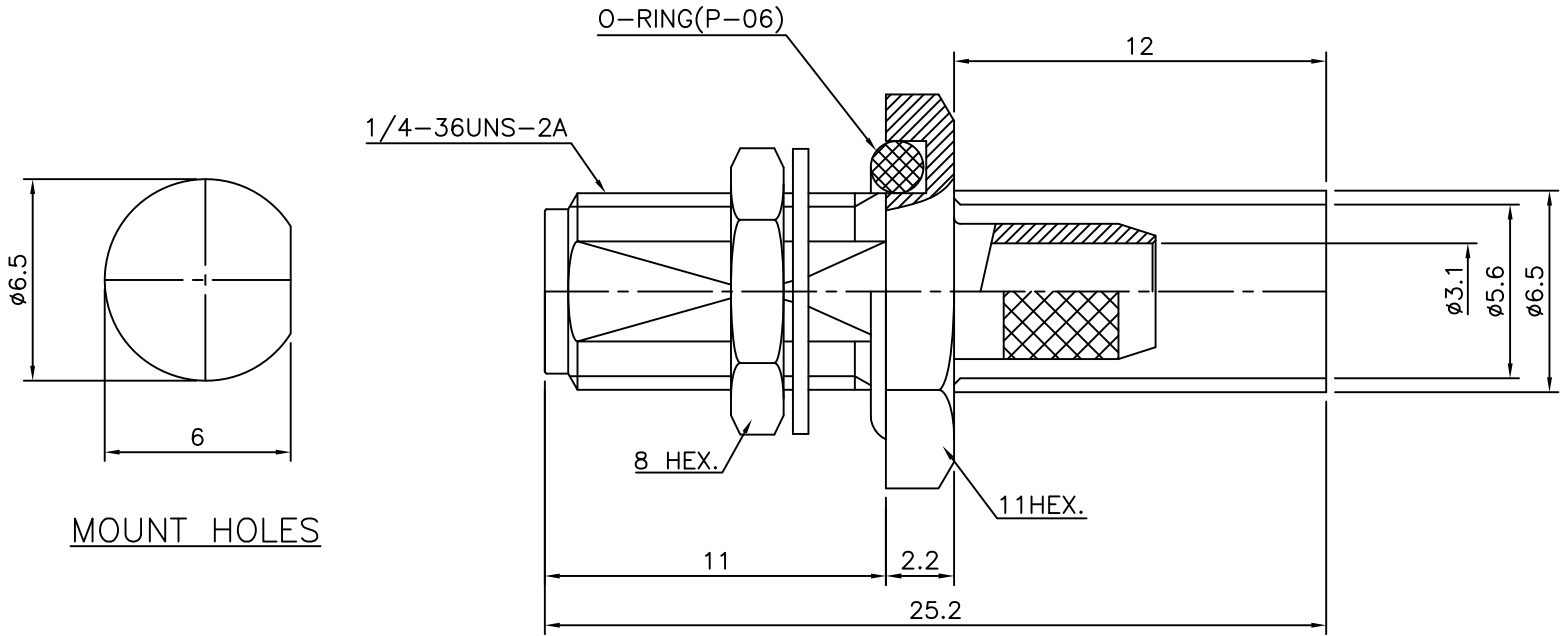


4	No.	Revision	5	Date	6	Name
	△	PN Change from 1S-412-01		10/FEB/2014		S.J.PARK
	△					

RoHS Compliant



SMA-Bulkhead JACK with SEAL
for Cable-RG400,223

Connector parts	Materials	Finish
Body	Brass	Gold Plated
Center contact	Beryllium copper	Gold Plated
Insulator	PTFE	-
Ferrule	Brass	Gold Plated
O-Ring	Silicone rubber	-

NO.	DESCRIPTION	Q'TY	MATERIAL	FINISH	REMARKS.
PARTS No.	SMA-412-002		NAME SMA-BJ-400		APPROVED S.J.LEE
MATERIAL	FINISH	TOLERANCES OTHERWISE SPEC. ±0.05		ANGLES ±1°	CHECKED
SCALE		UNIT mm			DESIGNED S.J.PARK
DWG NO.		SMA-412-002			DATE. 03/JUL/2013

CUSTOMER

