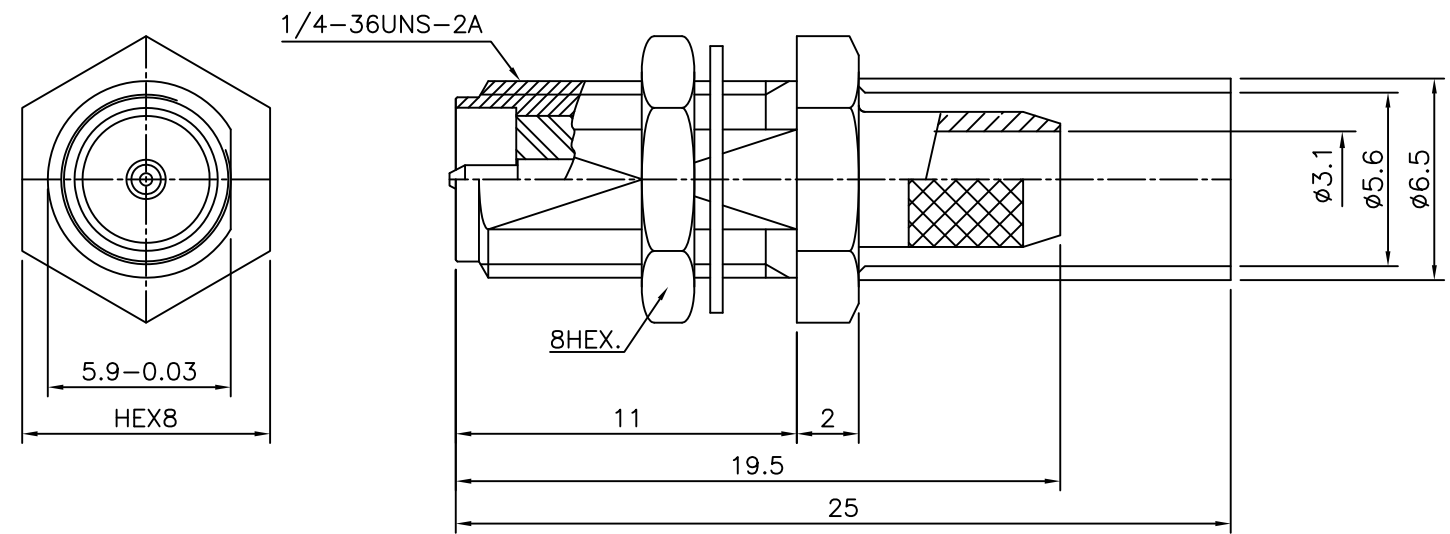


No.	Revision	Date	Name
△			
△			

SPECIFICATIONS.

- 1.1 Impedance: 50ohm
- 1.2 Frequency Range: per cable per MIL-C-17
- 1.3 Working Voltage rating: 335 Vrms
- 1.4 Dielectric Withstanding Voltage: 1000 Vrms
- 1.5 VSWR: 1.2:1 Max
- 1.6 Insulation Resistance: 5,000 megohms
- 1.7 Connector Durability: 500 mating
- 1.8 Temperature Range: -45°C~+155°C

RoHS Compliant



SMA-Bulkhead JACK
(Reverse Polarity)
for Cable-RG400

Connector parts	Materials	Finish
Body,Nut	Brass	Gold Plated
Center contact	Brass	Gold Plated
Insulator	PTFE	-
Ferrule	Brass	Gold Plated

NO.	DESCRIPTION	Q'TY	MATERIAL	FINISH	REMARKS.
PARTS No.	SMA-412-009	NAME	SMA-BJ(R.P)-400		APPROVED
MATERIAL	FINISH	TOLERANCES OTHERWISE SPEC. ±0.05		ANGLES ±1°	CHECKED
SCALE		UNIT	mm		DESIGNED S.J.LEE
DWG NO.		SMA-412-009		DATE.	2001.05/22

CUSTOMER

