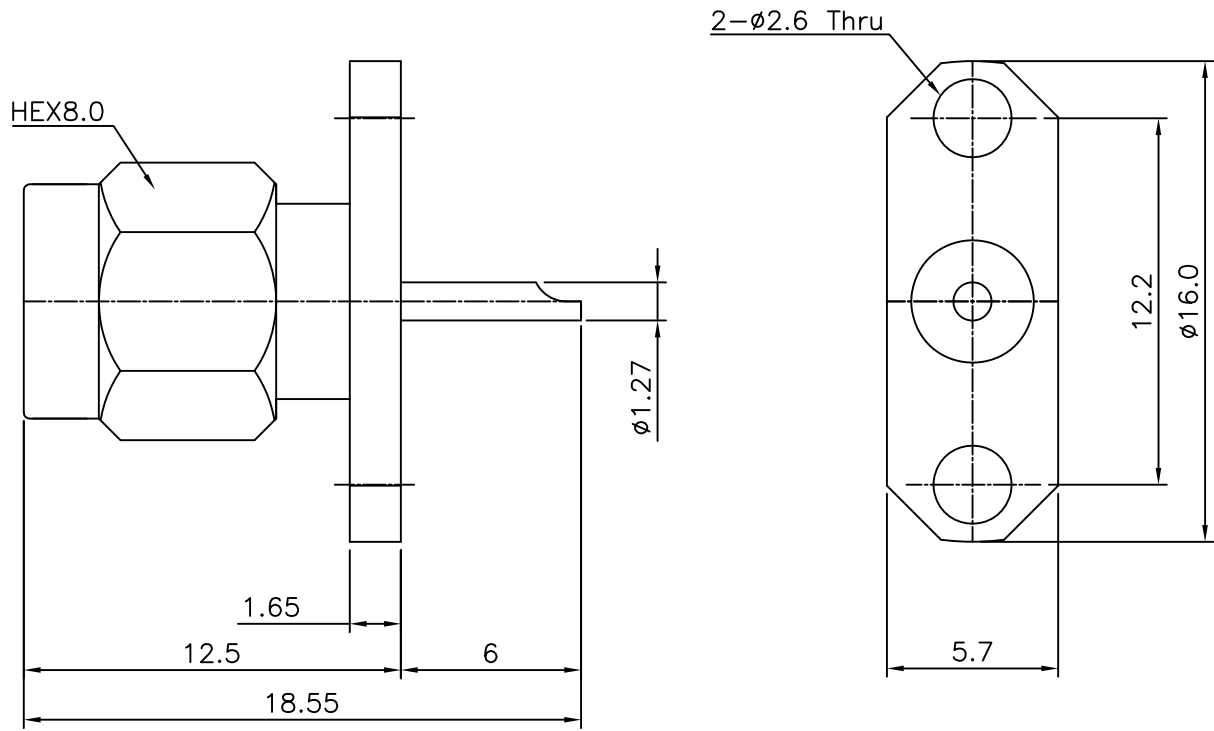


4	5	6	
No.	Revision	Date	Name
△	PN Change from 1S-506-0060	10/FEB/2014	S.J.PARK
△			

RoHS Compliant



Connector parts	Materials	Finish
Coupling cap	Brass	Gold plated
Body	Brass	Gold plated
Center contact	Brass	Gold plated
Insulator	PTFE	

SMA-2H PANEL PLUG RECEPTACLE

NO.	DESCRIPTION	Q'TY	MATERIAL	FINISH	REMARKS.
PARTS No.	SMA-501-001	NAME	SMA-SP 2H RECEP		APPROVED
MATERIAL	FINISH	TOLERANCES OTHERWISE SPEC. ± 0.05		ANGLES $\pm 1^\circ$	CHECKED
SCALE		UNIT	mm		DESIGNED S.J.LEE
DWG NO.		SMA-501-001		DATE	29/MAY/2007

CUSTOMER

