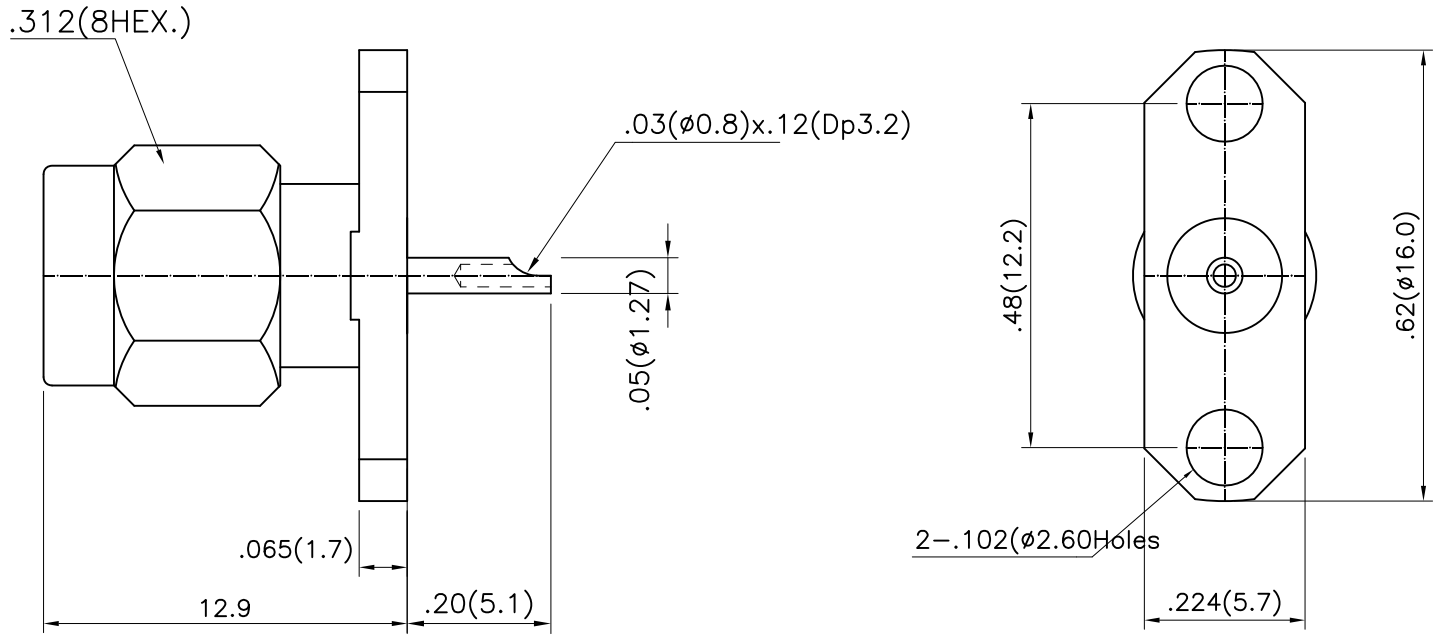


4	5	6	
No.	Revision	Date	Name
△	PN Change from 1S-506S-0051E	08/08/2013	B.G.YUN
△			

RoHS Compliant



Connector parts	Materials	Finish
Body	Stainless steel	Passivated
Coupling Cap	Stainless steel	Passivated
Center contact	Brass	Gold plated
Insulator	PTFE	-

SMA-MALE-2Holes Receptacle Solder pot

CUSTOMER

NO.	DESCRIPTION	Q'TY	MATERIAL	FINISH	REMARKS.
PARTS No.	SMA-501-008	NAME	SMA-M2H-Recep.		APPROVED
MATERIAL	FINISH	TOLERANCES OTHERWISE SPEC. ±0.05		ANGLES ±1°	CHECKED
SCALE		UNIT	mm		DESIGNED S.J.LEE
DONGJIN TI.		DWG NO.	SMA-501-008		DATE. 17/FEB/2011