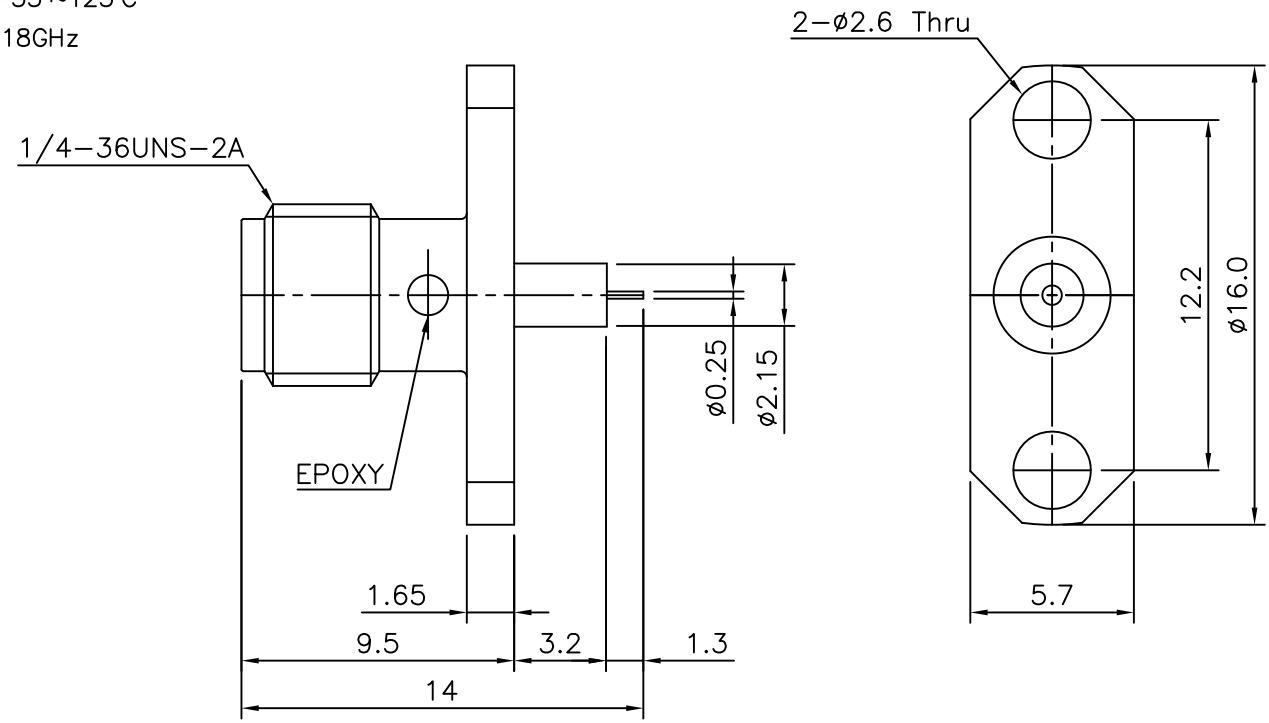


No.	Revision	Date	Name
▲	PN Change from 1S-502S-3213E	17/FEB/2014	S.J.PARK
▲			

SPECIFICATIONS;  
 Impedance : 50 Ohms  
 Frequency Range : DC~18 GHz  
 Directric Withstanding Voltage : 750 VRMS  
 Insulation Resistance : 5000 meghms  
 Temperture Range : -55~125°C  
 VSWR : 1.2:1 max @ 18GHz

RoHS Compliant



SMA-2H PANEL-FEMALE  
 MICRO COAXIAL END RECEPTACLE

Connector parts	Materials	Finish
Body	Stainless steel	Passivated
Center contact	Beryllium copper	Gold Plated
Insulator	PTFE	-

**CUSTOMER**

NO.	DESCRIPTION	Q'TY	MATERIAL	FINISH	REMARKS.
PARTS No.	SMA-502-015		NAME	SMA-2H-JACK RECEPTACLE	APPROVED
MATERIAL	FINISH	TOLERANCES OTHERWISE SPEC. ±0.05		ANGLES ±1°	CHECKED
		SCALE	UNIT mm		DESIGNED S.J.LEE
		DWG NO.		SMA-502-015	DATE. 04/MAR/2010