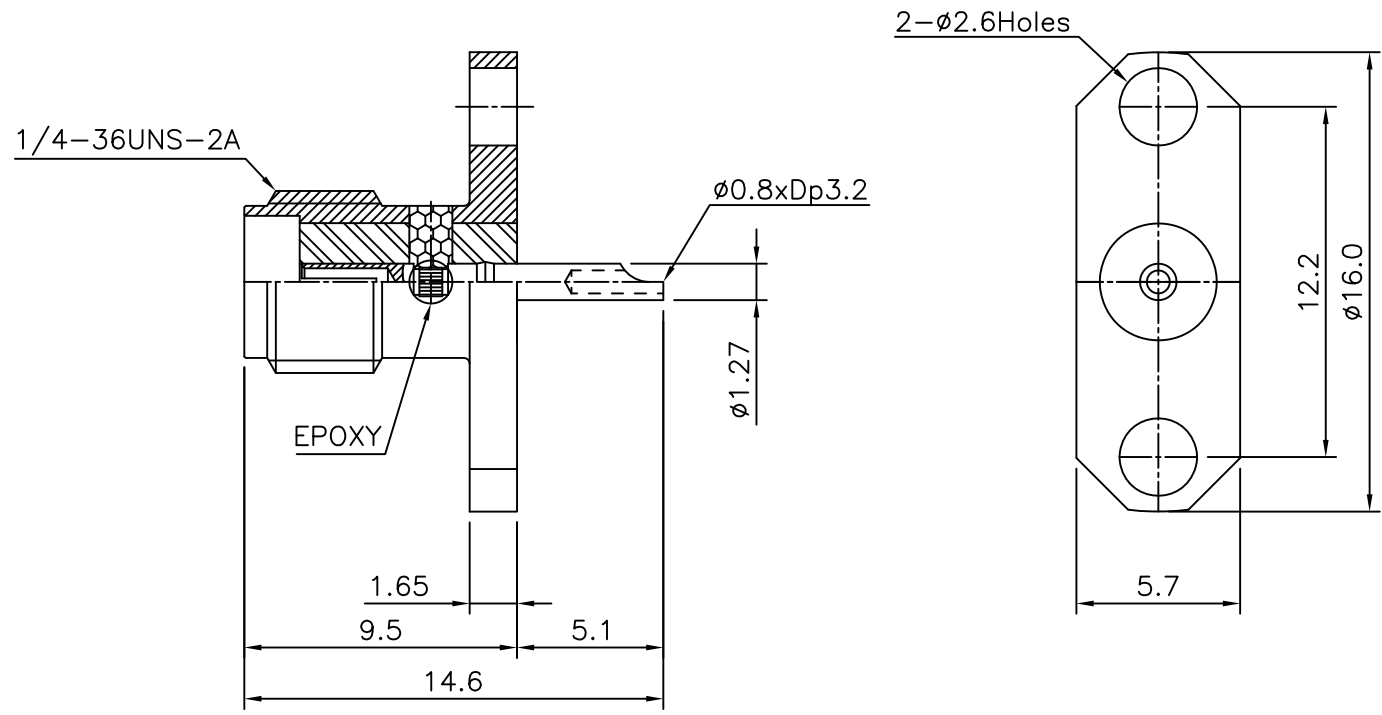


4	5	6	
No.	Revision	Date	Name
△	PN Change from 1S-504SG-0051E	15/OCT/2013	S.J.PARK
△			

RoHS Compliant



SMA-2H Flange Mount
JACK Receptacle/Solder pot

Connector parts	Materials	Finish
Body	Stainless steel	Gold Plated
Center contact	Beryllium copper	Gold Plated
Insulator	PTFE	-

CUSTOMER

NO.	DESCRIPTION	Q'TY	MATERIAL	FINISH	REMARKS.
PARTS No.	SMA-502-043		NAME	SMA-2H-JACK RECEP	APPROVED
MATERIAL	FINISH	TOLERANCES OTHERWISE SPEC. ±0.05		ANGLES ±1°	CHECKED
SCALE		UNIT	mm		DESIGNED S.J.LEE
DWG NO.		SMA-502-043		DATE.	12/JUL/2011

