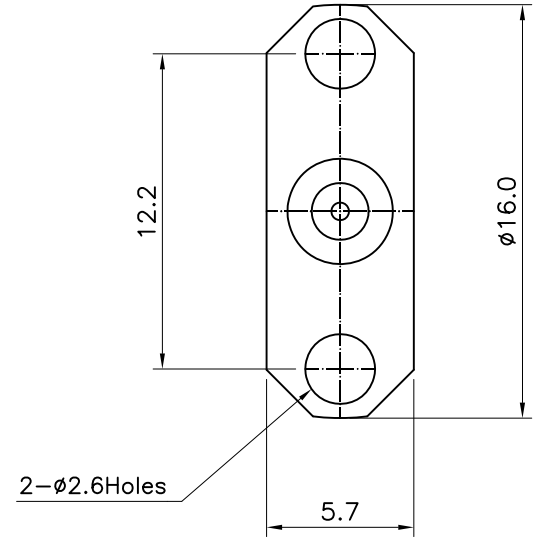
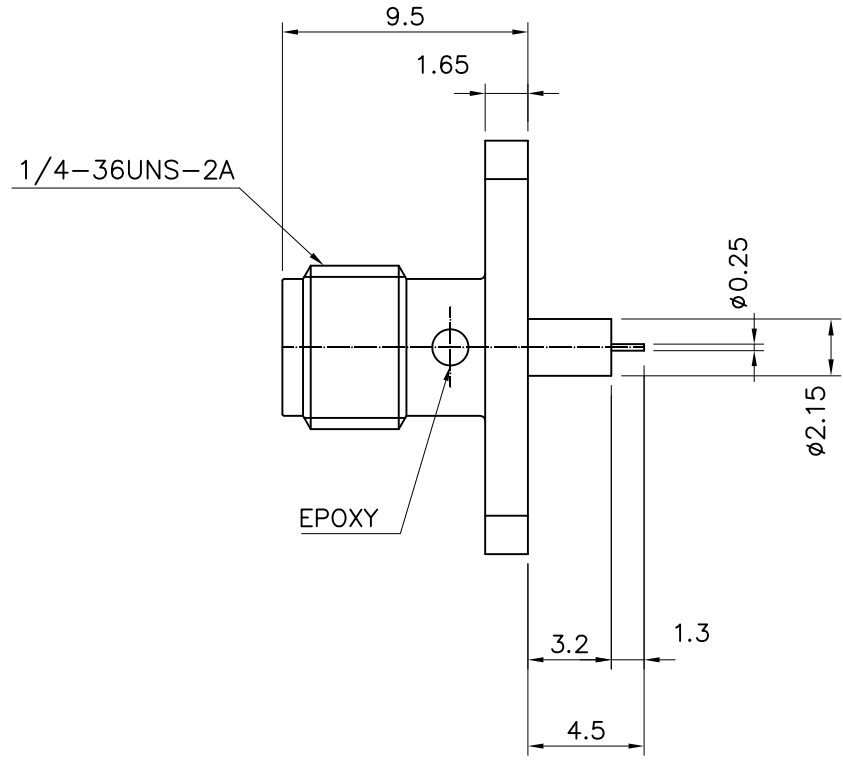


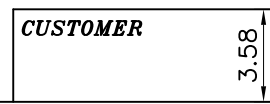
No.	Revision	Date	Name
△	PN Change from 1S-502S-3213E	16/06/2013	B.G.YUN
△			

RoHS Compliant



SMA-2H PANEL-FEMALE
MICRO COAXIAL END RECEPTACLE

Connector parts	Materials	Finish
Body	Stainless steel	Gold Plated
Center contact	Beryllium copper	Gold Plated
Insulator	PTFE	-



NO.	DESCRIPTION	Q'TY	MATERIAL	FINISH	REMARKS.
PARTS No.	SMA-502-055	NAME	SMA-2H-JACK RECEPTACLE		APPROVED
MATERIAL	FINISH	TOLERANCES OTHERWISE SPEC. ±0.05		ANGLES ±1°	CHECKED
SCALE		UNIT	mm		DESIGNED S.J.LEE
DWG NO.		SMA-502-055		DATE.	04/MAR/2010

