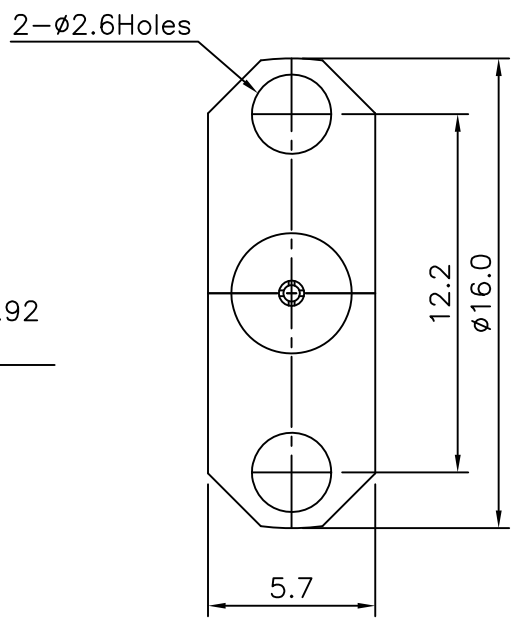
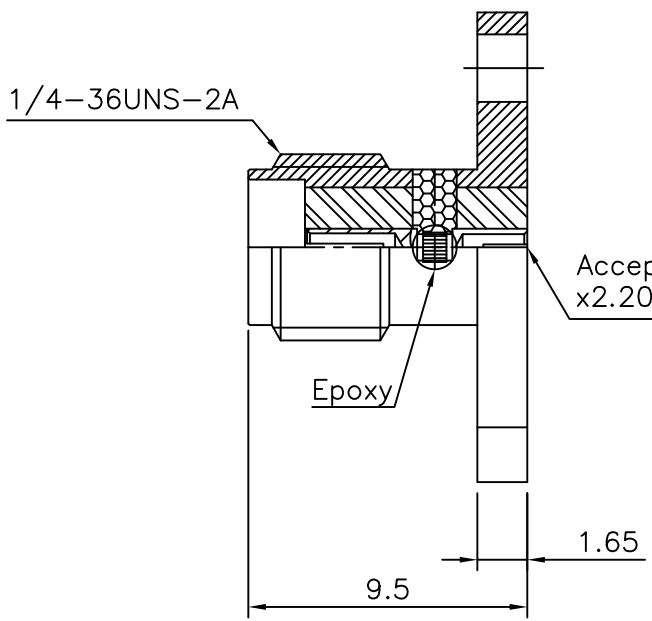


| | | | | | |
|---|---|---|----------------|------------------------------|------------|
| 1 | 2 | 3 | 4 | 5 | 6 |
| SPECIFICATIONS; | | | No. | Revision | Date |
| IMPEDANCE : 50 Ohms | | | △ | PN Change from 1S-502S-F0090 | 15/10/2013 |
| Frequency Range :DC~18 GHz | | | △ | | |
| Directric Withstanding Voltage : 750 VRMS | | | RoHS Compliant | | |
| Insulation Resistance : 5000 meghms | | | | | |
| Temperture Range : -55~125°C | | | | | |
| VSWR : 1.2:1 max @ 18GHz | | | | | |

D
C
B
A



SMA-FEMALE-2Hole Panel
Field Replaceable.

| Connector parts | Materials | Finish |
|-----------------|------------------|-------------|
| Body | Stainless steel | Passivated |
| Center contact | Beryllium copper | Gold plated |
| Insulator | PTFE | - |

CUSTOMER

| NO. | DESCRIPTION | Q'TY | MATERIAL | FINISH | REMARKS. |
|-----------|-------------|-------------------------------------|----------------|------------|---------------------|
| PARTS No. | SMA-502-097 | NAME | SMA-F2H-Recep. | | APPROVED |
| MATERIAL | FINISH | TOLERANCES OTHERWISE SPEC. ±0.05 | | ANGLES ±1° | CHECKED |
| | | SCALE | UNIT mm | | DESIGNED S.J.LEE |
| | | DWG NO. | SMA-502-097 | | DATE 05/MAY/2011 |

