

1

2

3

4

5

6

SPECIFICATIONS

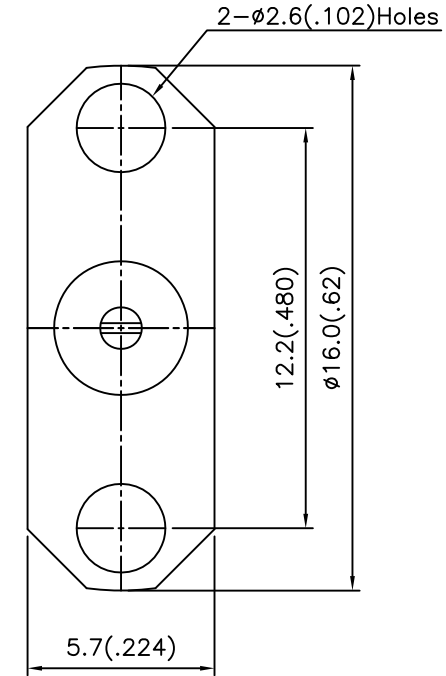
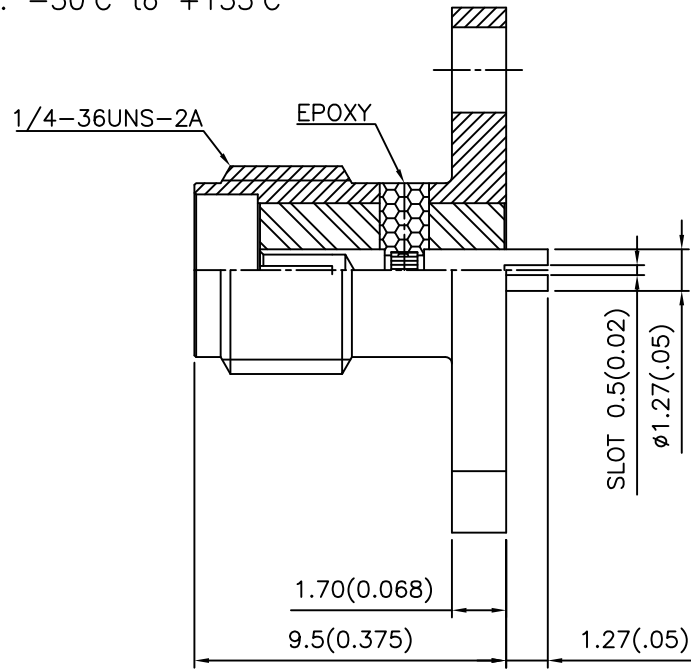
Impedance: 50 OHM
 Frequency Range: DC~18 GHz
 Voltage rating: 500 Vrms
 Dielectric Withstanding Voltage: 1500 Vrms
 Durability: 500 Cycles
 Contact retention 6lbs axial
 Temperature Range: -50°C to +155°C

No.	Revision	Date	Name
▲	PN Change from 1S-504S-SL050E	14/FEB/2014	S.J.PARK
▲			

D

C

B

SMA-PANEL 2HOLES FEMALE
SLOT CONTACT

A

Item	Materials	Plating
Body	Stainless steels	Passivated
Center contact	Beryllium copper	Gold Plated
Insulator	PTFE	-

CUSTOMER

NO.	DESCRIPTION	Q'TY	MATERIAL	FINISH	REMARKS.
PARTS No.	SMA-502-154	NAME	SMA-F4H-SLOT		APPROVED
MATERIAL	FINISH	TOLERANCES OTHERWISE SPEC. ±0.05		ANGLES ±1°	CHECKED
SCALE		UNIT	mm		DESIGNED S.J.LEE
DWG NO.		SMA-502-154		DATE.	12/DEC/2012



DONGJIN TI.