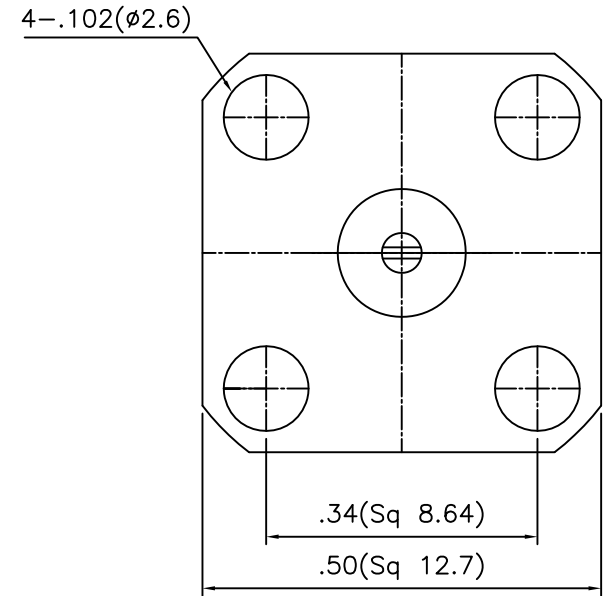
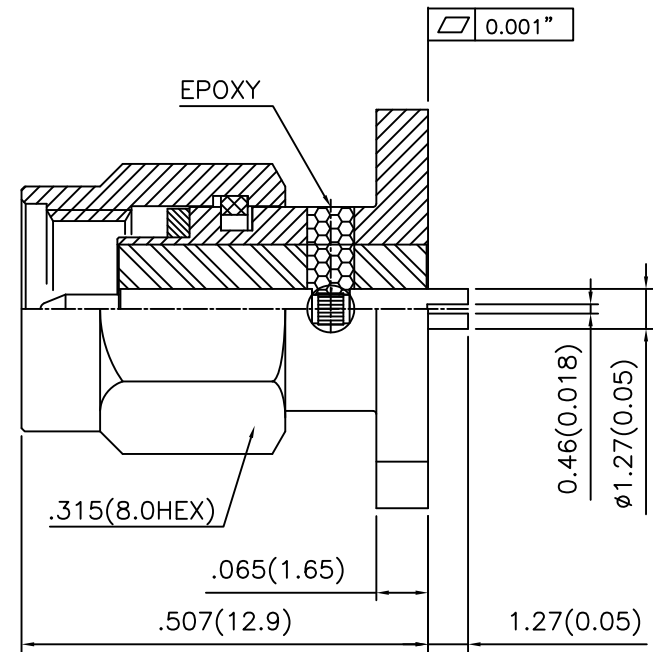


4	5	6	
No.	Revision	Date	Name
▲	PN Change from 1S-507S-SL018	14/FEB/2014	S.J.PARK
▲			

RoHS Compliant



NOTES:

- INTERFACE PER MIL-STD-348A
- MATERIALS
INSULATOR: TEFLON
CENTER CONTACT: BERYLLIUM COPPER
BODY, COUPLING CAP: STAINLESS STEEL 303
- FINISHES
CENTER CONTACT: GOLD PLATE
BODY, COUPLING CAP: PASSIVATED
- CENTER CONTACT TO BE EPOXY CAPTIVATED
- ELECTRICAL
FREQUENCY RANGE: DC~18GHZ
NOMINAL IMPEDANCE: 50 Ohms
V.S.W.R : 1.20:1 Max.

SMA-Panel PLUG Receptacle
4-Hole/ (SQ 1/2")-SLOT TERMINAL

CUSTOMER

NO.	DESCRIPTION	Q'TY	MATERIAL	FINISH	REMARKS.
PARTS No.	SMA-503-020	NAME	SMA-SP4H RECEP.		APPROVED
MATERIAL	FINISH	TOLERANCES	OTHERWISE SPEC. ±0.05 ANGLES ±1°		CHECKED
		SCALE	UNIT		DESIGNED
			mm		S.J.LEE
		DWG NO.	SMA-503-020		DATE.
					08/MAR/2012

