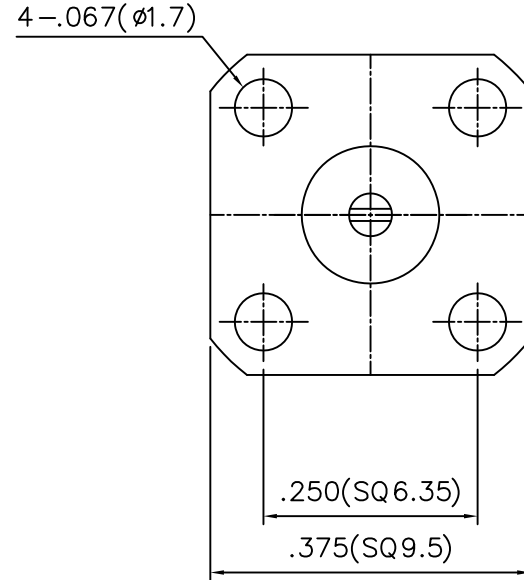
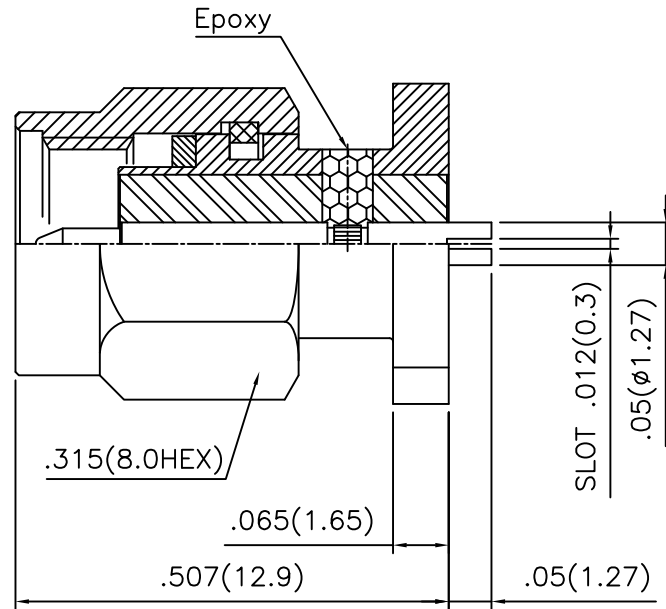


4	5	6	
No.	Revision	Date	Name
△	PN Change from 1S-515S-SSL012E	14/FEB/2014	S.J.PARK
△			

RoHS Compliant



NOTES:

- INTERFACE PER MIL-STD-348
- MATERIALS
INSULATOR: TEFLON
CENTER CONTACT: BERYLLIUM COPPER
BODY, COUPLING CAP: STAINLESS STEEL 303
- FINISHES
CENTER CONTACT: GOLD PLATE
BODY, COUPLING CAP: PASSIVATED
- CENTER CONTACT TO BE CAPTIVATED

SMA-Panel PLUG Receptacle
4-Hole/ (SQ 3/8")-SLOT012 PIN

CUSTOMER

NO.	DESCRIPTION	Q'TY	MATERIAL	FINISH	REMARKS.
PARTS No.	SMA-503-022	NAME	SMA-P4H RECEP.		APPROVED
MATERIAL	FINISH	TOLERANCES OTHERWISE SPEC. ±0.05		ANGLES ±1°	CHECKED
SCALE		UNIT	mm		DESIGNED S.J.LEE
DWG NO.		SMA-503-022		DATE.	12/JUN/2012

DONGJIN TI.