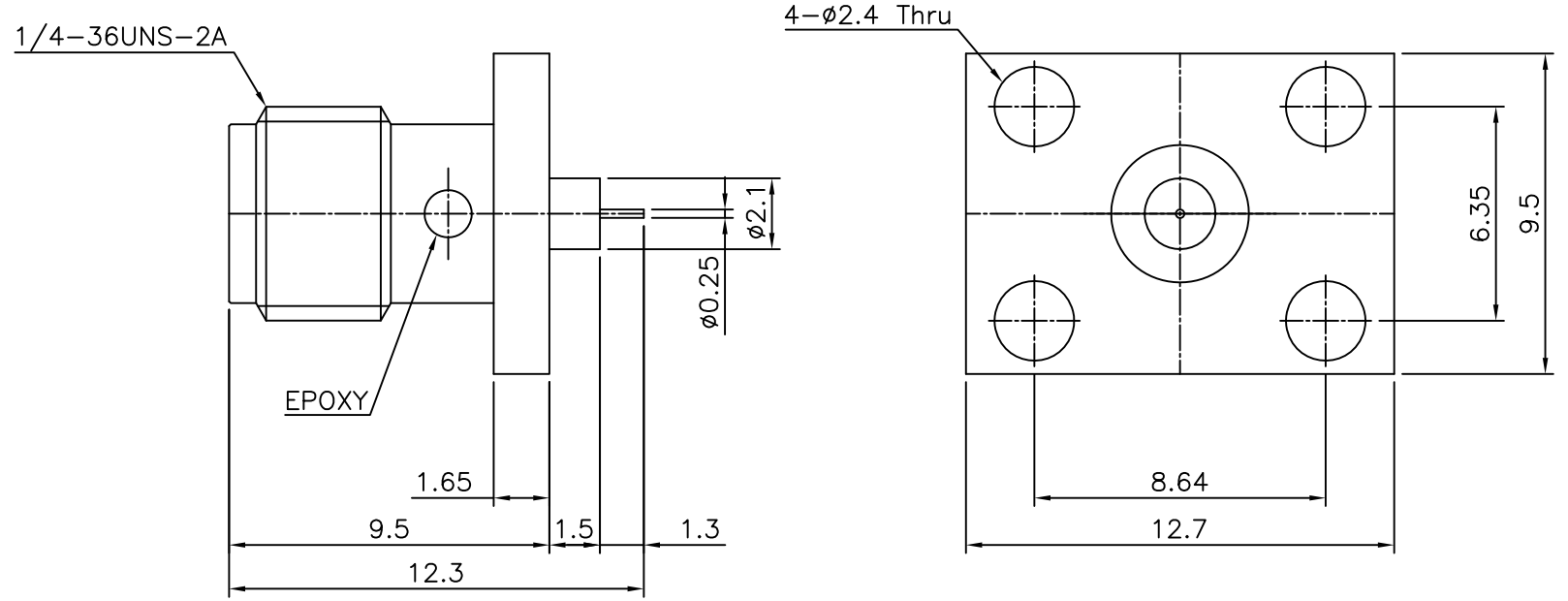


No.	Revision	Date	Name
△	PN Change from 1S-501-1513RE	10/FEB/2014	S.J.PARK
△			

RoHS Compliant



Connector parts	Materials	Finish
Body	Brass	Gold plated
Center contact	Beryllium copper	Gold plated
Insulator	PTFE	-

SMA-4H PANEL JACK RECEPTACLE

NO.	DESCRIPTION	Q'TY	MATERIAL	FINISH	REMARKS.
PARTS No.	SMA-504-003	NAME	SMA-SJ 4H RECEP		APPROVED
MATERIAL	FINISH	TOLERANCES OTHERWISE SPEC. ±0.05		ANGLES ±1°	CHECKED
SCALE		UNIT	mm		DESIGNED S.J.LEE
DWG NO.		SMA-504-003		DATE	29/MAY/2007

CUSTOMER

