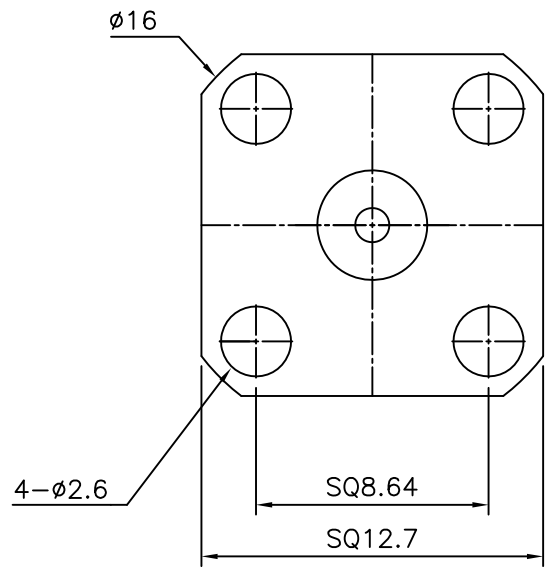
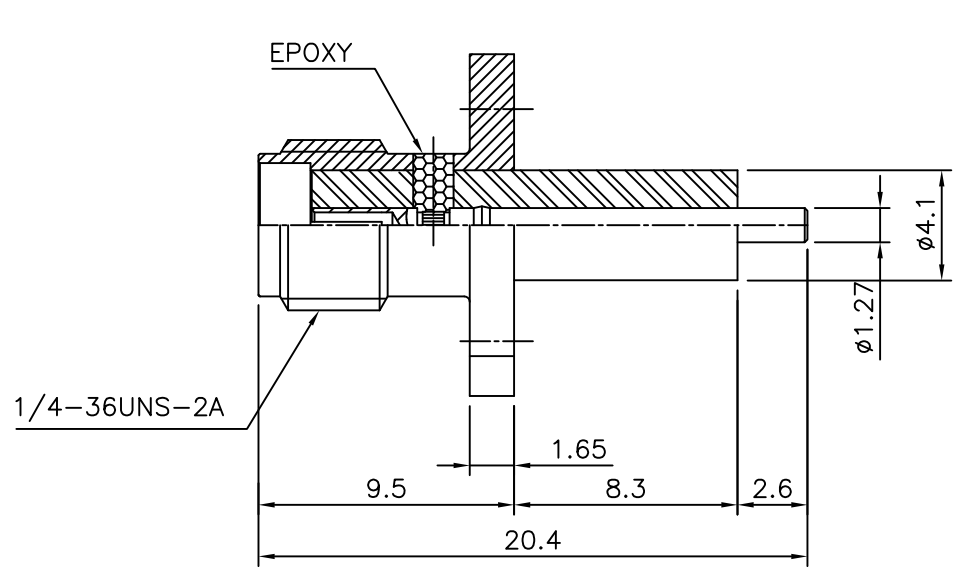


4	5	6
No.	Revision	Date
△		
△		

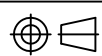

RoHS Compliant



SMA Straight JACK
4H-PANEL Receptacle
(Epoxy Captivated)

Item	Materials	Plating
Body	Stainless steels	Gold Plated
Center contact	Beryllium copper	Gold Plated
Insulator	PTFE	-

CUSTOMER

NO.	DESCRIPTION	Q'TY	MATERIAL	FINISH	REMARKS.
PARTS No.	SMA-504-022	NAME	SMA-F-4H-Receptacle		APPROVED
MATERIAL	FINISH	TOLERANCES OTHERWISE SPEC. ±0.05		ANGLES ±1°	CHECKED
SCALE N/S		UNIT mm			DESIGNED S.J.LEE
		DWG NO.		SMA-504-022	DATE. 19/AUG/2008