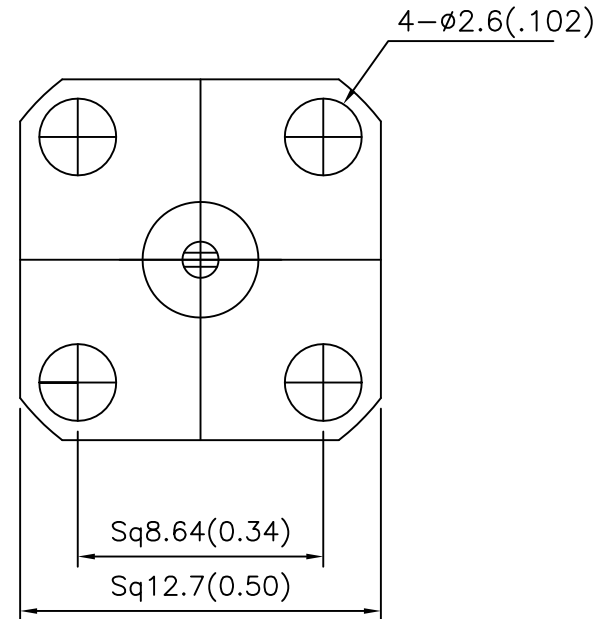
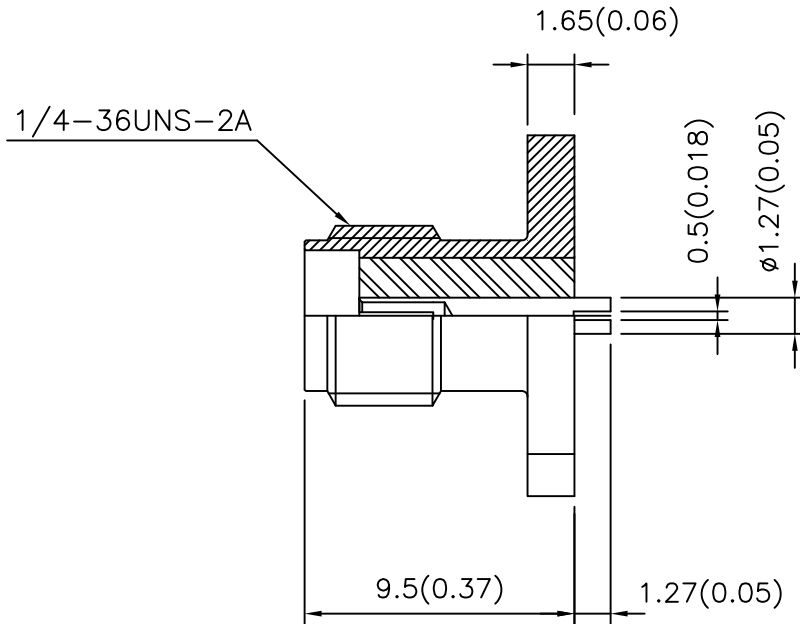


1	2	3	4	5	6
No.	Revision		Date	Name	
△					
△					

RoHS Compliant



SMA-Panel JACK Receptacle  
4-Hole/ (SQ 1/2")-SLOT TERMINAL

NOTES:

- INTERFACE PER MIL-STD-348
- MATERIALS  
INSULATOR: TEFLON  
CENTER CONTACT: BERYLLIUM COPPER  
BODY: STAINLESS STEEL 303
- FINISHES  
CENTER CONTACT: GOLD PLATE  
BODY: PASSIVATED
- FOR NON-CAPTIVATED CONNECTORS, CENTER CONTACT IS PACKAGED AND SHIPPED UNASSEMBLED.

CUSTOMER

NO.	DESCRIPTION	Q'TY	MATERIAL	FINISH	REMARKS.
PARTS No.	SMA-504-026	NAME		SMA-SJ-4H RECEP.	APPROVED
MATERIAL	FINISH	TOLERANCES		OTHERWISE SPEC. ±0.05	ANGLES ±1°
SCALE		UNIT	mm		DESIGNED S.J.LEE
DWG NO.		SMA-504-026		DATE	27/NOV/2008



DONGJIN TI.