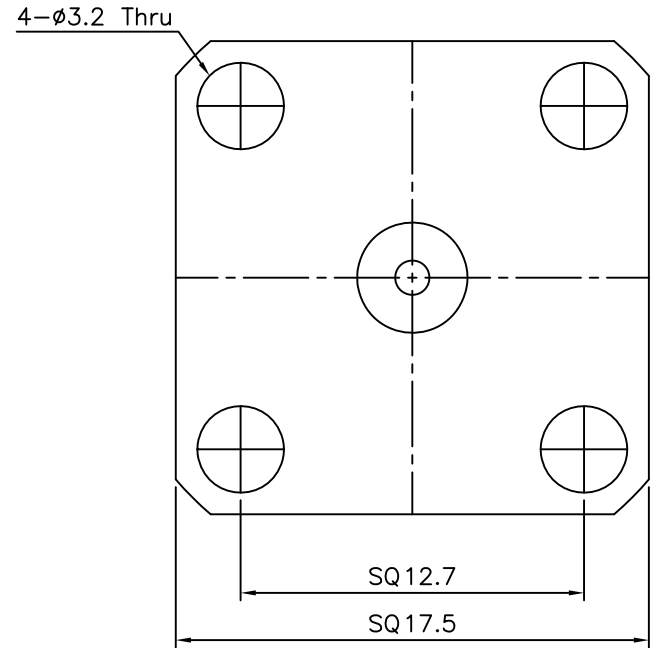
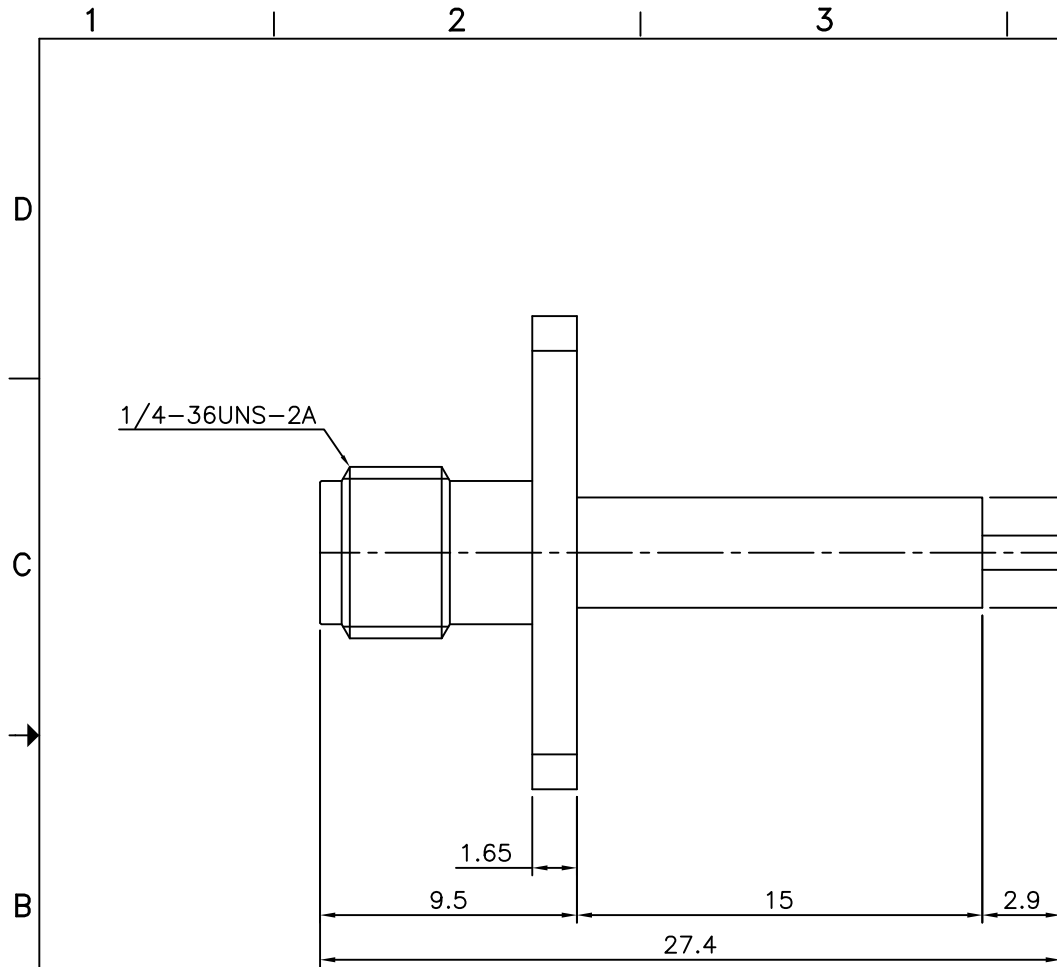


No.	Revision	Date	Name
1	PN Change from 1S-505-15029-175	11/FEB/2014	S.J.PARK
2			

RoHS Compliant



Connector parts	Materials	Finish
Body	Brass	Nickel plated
Center contact	Beryllium copper	Gold plated
Insulator	PTFE	-

SMA-4H PANEL LAUNCHERS,
Straight JACK

NO.	DESCRIPTION	Q'TY	MATERIAL	FINISH	REMARKS.
PARTS No.	SMA-504-113	NAME	SMA-SJ 4H RECEP		APPROVED
MATERIAL	FINISH	TOLERANCES OTHERWISE SPEC. ±0.05		ANGLES ±1°	CHECKED
SCALE		UNIT	mm		DESIGNED S.J.LEE
DWG NO.		SMA-504-113		DATE	29/MAY/2007

CUSTOMER



DONGJIN TI.