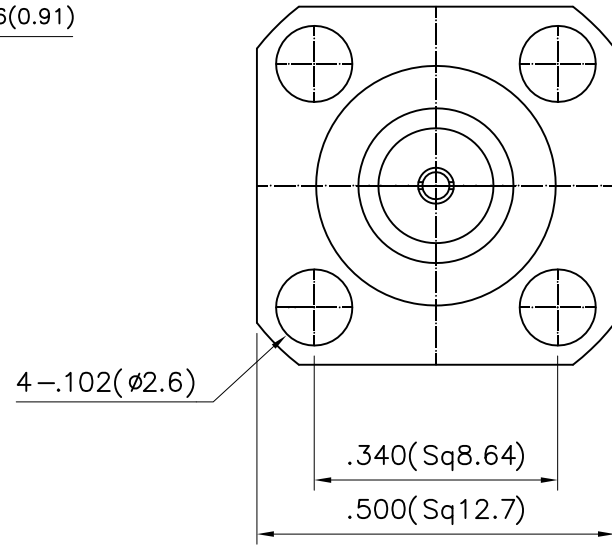
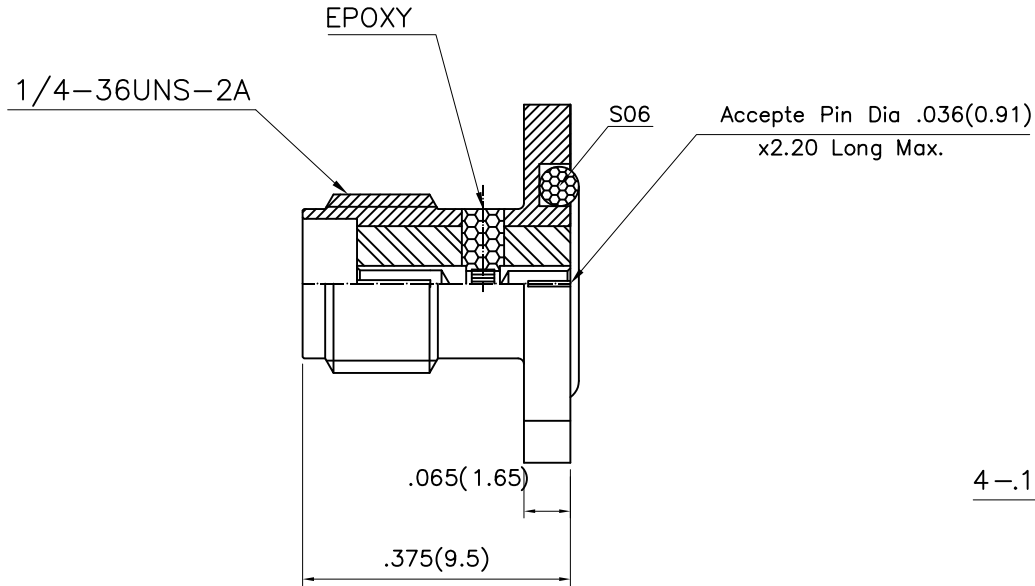


4	5	6
No.	Revision	Date
△		
△		

RoHS Compliant



NOTES:

1. INTERFACE PER MIL-STD-348
2. MATERIALS
INSULATOR: TEFLON
CENTER CONTACT: BERYLLIUM COPPER
BODY: STAINLESS STEEL
3. FINISHES
CENTER CONTACT: GOLD PLATE
BODY: PASSIVATED
4. CENTER CONTACT TO BE EPOXY CAPTIVATED
5. FREQUENCY RANGE; DC~18GHz

SMA-Panel JACK 4-Hole(SQ.50'')
Receptacle with Seal-Field replaceable .036 pin

CUSTOMER

NO.	DESCRIPTION	Q'TY	MATERIAL	FINISH	REMARKS.
PARTS No.	SMA-504-130	NAME	SMA-F4H RECEP.		APPROVED
MATERIAL	FINISH	TOLERANCES OTHERWISE SPEC. ±0.05		ANGLES ±1°	CHECKED
SCALE		UNIT	mm		DESIGNED S.J.LEE
		DWG NO.	SMA-504-130		DATE. 12/JUL/2013