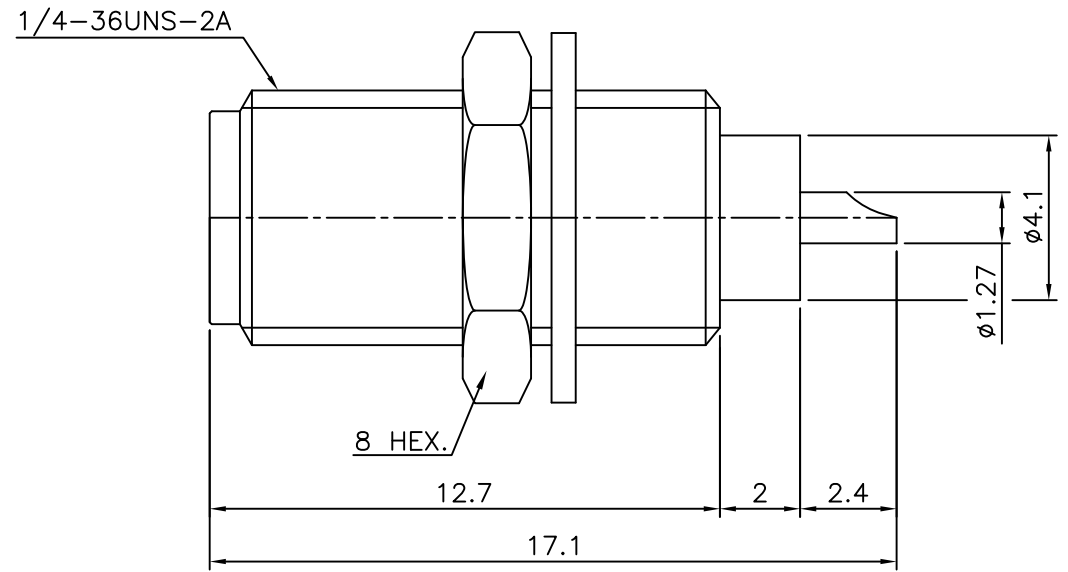


4	No.	Revision	Date	Name
	△	PN Change from 1S-601-00	10/FEB/2014	S.J.PARK
	△			

D  
C  
B  
A



SMA-Bulkhead JACK Receptacle

Connector parts	Materials	Finish
Body,Nut,Washer	Brass	Gold Plated
Center contact	BeCu	Gold Plated
Insulator	TEFLON	-

**CUSTOMER**

NO.	DESCRIPTION	Q'TY	MATERIAL	FINISH	REMARKS.
PARTS No.	SMA-506-001	NAME	SMA-F/T-Receptacle		APPROVED
MATERIAL	FINISH	TOLERANCES OTHERWISE SPEC. $\pm 0.05$		ANGLES $\pm 1^\circ$	CHECKED
SCALE		UNIT	mm		DESIGNED S.J.LEE
DWG NO.		SMA-506-001		DATE.	2003/1/10

