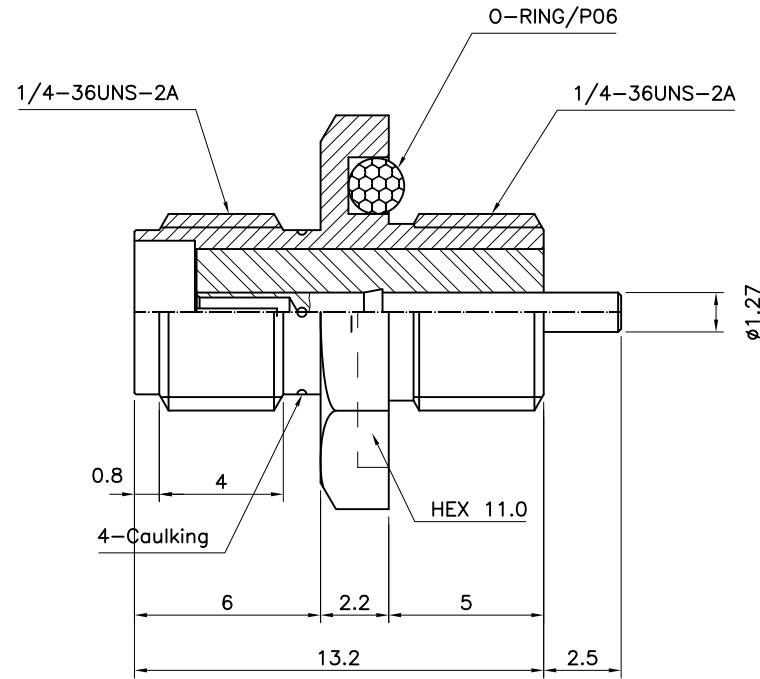


No.	Revision	Date	Name
△	PN Change from 1S-602-0225	20/08/2013	B.G.YUN
△			

RoHS Compliant



SMA Bulkhead JACK
RECEPTACLE-with SEAL

Connector parts	Materials	Finish
Body	Brass	Gold Plated
Center contact	Beryllium copper	Gold Plated
Insulator	PTFE	-
O-Ring	Silicone rubber	-

CUSTOMER

NO.	DESCRIPTION	Q'TY	MATERIAL	FINISH	REMARKS.
PARTS No.	SMA-506-004		NAME	SMA BJ RECEP.(SEAL)	APPROVED
MATERIAL	FINISH	TOLERANCES OTHERWISE SPEC. ±0.05		ANGLES ±1°	CHECKED
SCALE		UNIT	DESIGNED		S.J.LEE
N/S		mm	DWG NO.		
DONGJIN TI.		SMA-506-004		DATE.	24/MAR/2007