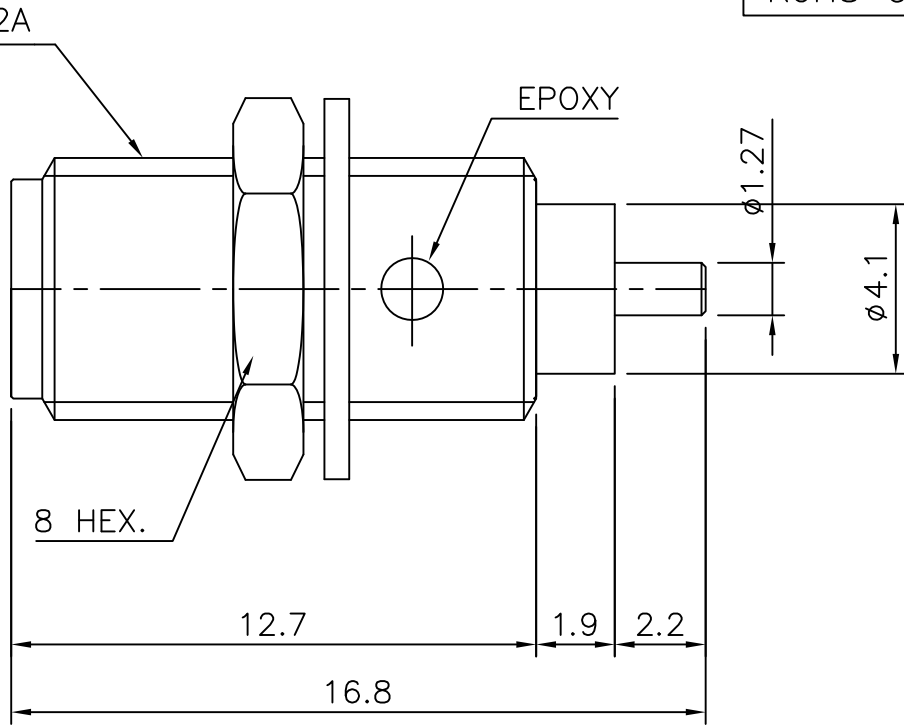


4	5	6	
No.	Revision	Date	Name
△	PN Change from 1S-602SG-1922E	15/11/2013	B.G.YUN
△			

RoHS Compliant

SPECIFICATIONS

Impedance: 50 OHM
 Frequency Range: DC~18 GHz
 Voltage rating: 335 Vrms
 Dielectric Withstanding Voltage: 1000 Vrms
 Contact retention 6lbs axial
 Temperature Range: -65°C to +125°C
 Durability: 500 Cycles
 Interface Dimensions: MIL-STD-348A



SMA-Bulkhead JACK Receptacles (Epoxy-Cativated)

Connector parts	Materials	Finish
Body,Nut,Washer	Stainless steel	Gold plated
Center contact	Beryllium copper	Gold Plated
Insulator	PTFE	-

CUSTOMER

NO.	DESCRIPTION	Q'TY	MATERIAL	FINISH	REMARKS.
PARTS No.	SMA-506-019	NAME	SMA-F/T-Receptacle		APPROVED
MATERIAL	FINISH	TOLERANCES OTHERWISE SPEC. ±0.05		ANGLES ±1°	CHECKED
SCALE		UNIT	mm		DESIGNED S.J.LEE
		DWG NO.	SMA-506-019		DATE. 07/MAR/2012