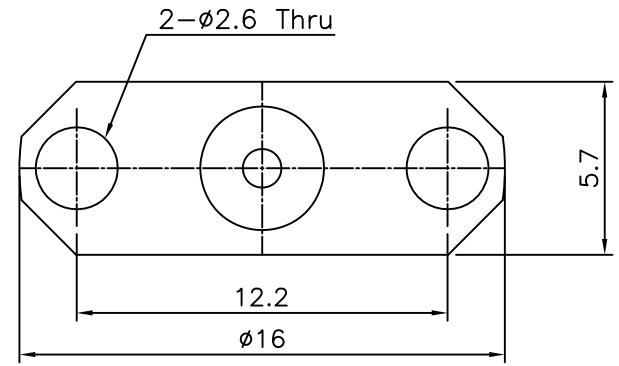
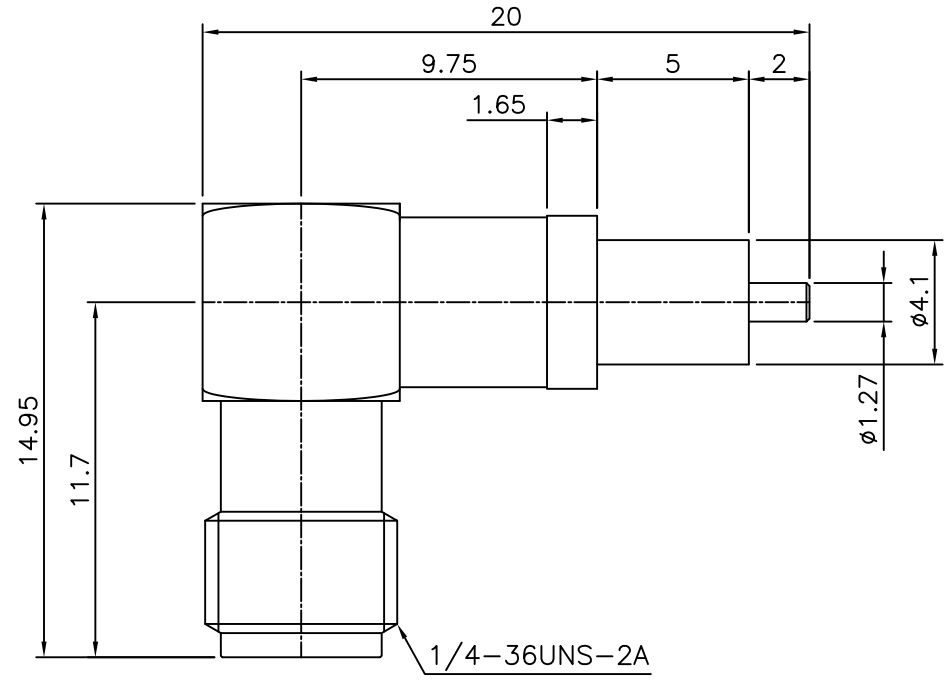


4	5	6	
No.	Revision	Date	Name
△	PN Change from 1S-703-5020	10/FEB/2014	S.J.PARK
△			

RoHS Compliant



Connector parts	Materials	Finish
Body	Brass	Gold plated
Center contact	Brass	Gold plated
Insulator	BeCu	Gold plated
	PTFE	-

SMA Right Angle -2H JACK
PANEL Receptacle

NO.	DESCRIPTION	Q'TY	MATERIAL	FINISH	REMARKS.
PARTS No.	SMA-508-002		NAME	SMA-LJ-2H RECEP.	APPROVED
MATERIAL	FINISH	TOLERANCES OTHERWISE SPEC. ±0.05		ANGLES ±1°	CHECKED
SCALE		UNIT	mm		DESIGNED S.J.LEE
DWG NO.		SMA-508-002		DATE 29/MAY/2007	

CUSTOMER

