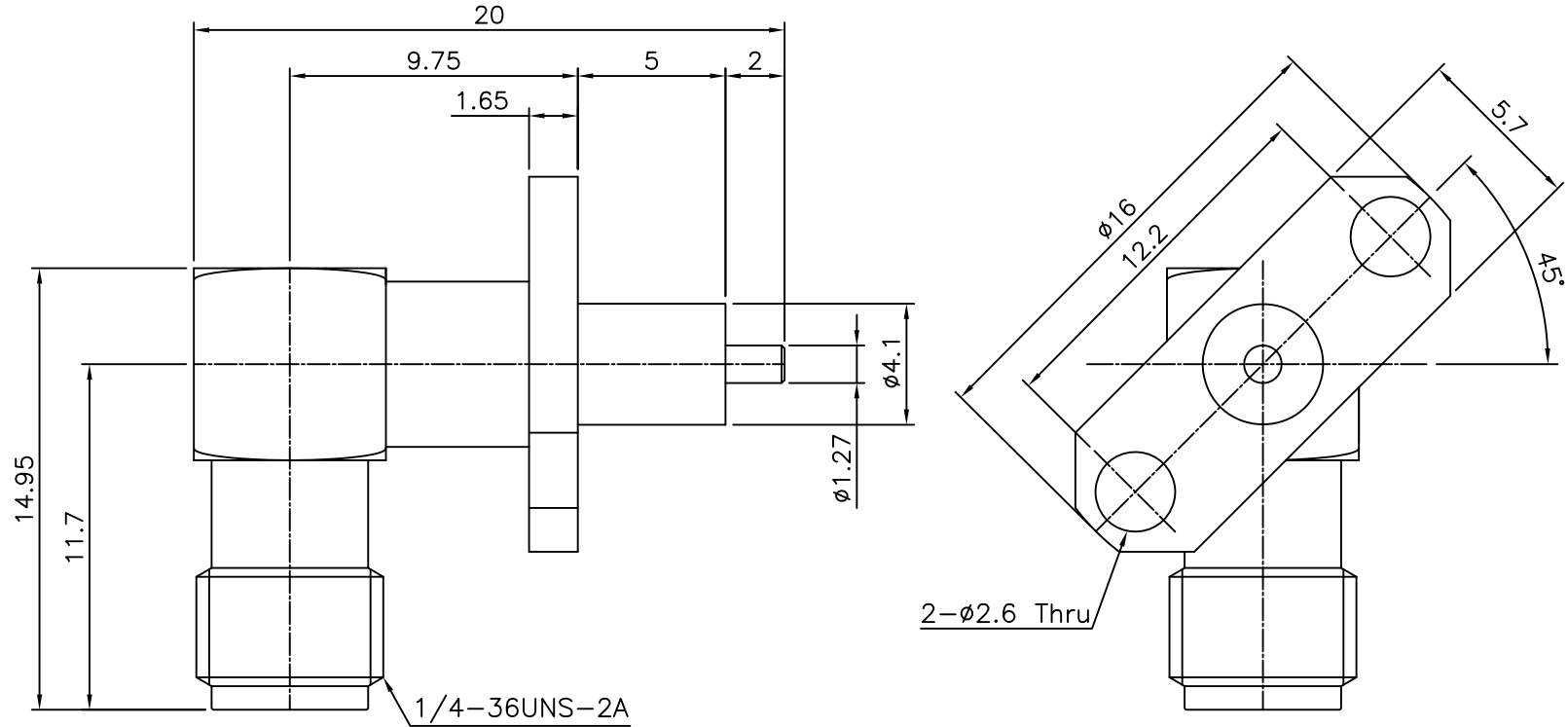


| No. | Revision                    | Date        | Name     |
|-----|-----------------------------|-------------|----------|
| 1   | PN Change from 1S-703L-5020 | 10/FEB/2014 | S.J.PARK |
| 2   |                             |             |          |

RoHS Compliant



| Connector parts | Materials | Finish      |
|-----------------|-----------|-------------|
| Body            | Brass     | Gold plated |
| Center contact  | Brass     | Gold plated |
| Insulator       | BeCu      | Gold plated |
|                 | PTFE      | -           |

SMA Right Angle -2H JACK  
PANEL Receptacle

| NO.       | DESCRIPTION | Q'TY                                | MATERIAL    | FINISH           | REMARKS.            |
|-----------|-------------|-------------------------------------|-------------|------------------|---------------------|
| PARTS No. | SMA-508-003 |                                     | NAME        | SMA-LJ-2H RECEP. | APPROVED            |
| MATERIAL  | FINISH      | TOLERANCES<br>OTHERWISE SPEC. ±0.05 |             | ANGLES ±1°       | CHECKED             |
|           |             | SCALE                               | UNIT<br>mm  |                  | DESIGNED<br>S.J.LEE |
|           |             | DWG NO.                             | SMA-508-003 |                  | DATE<br>29/MAY/2007 |

CUSTOMER