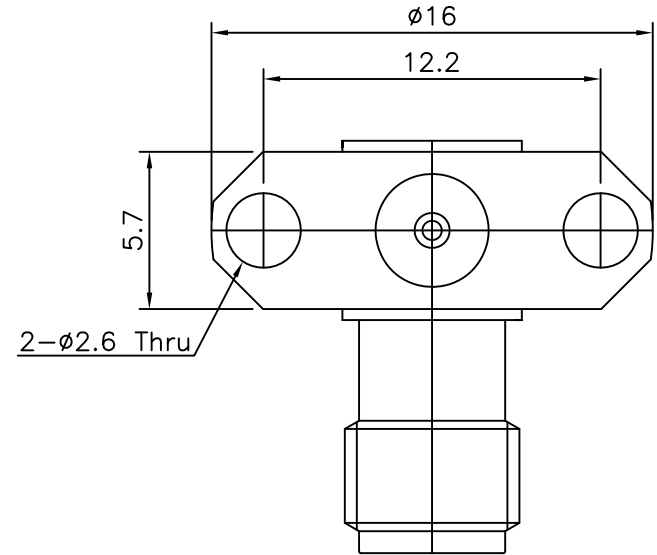
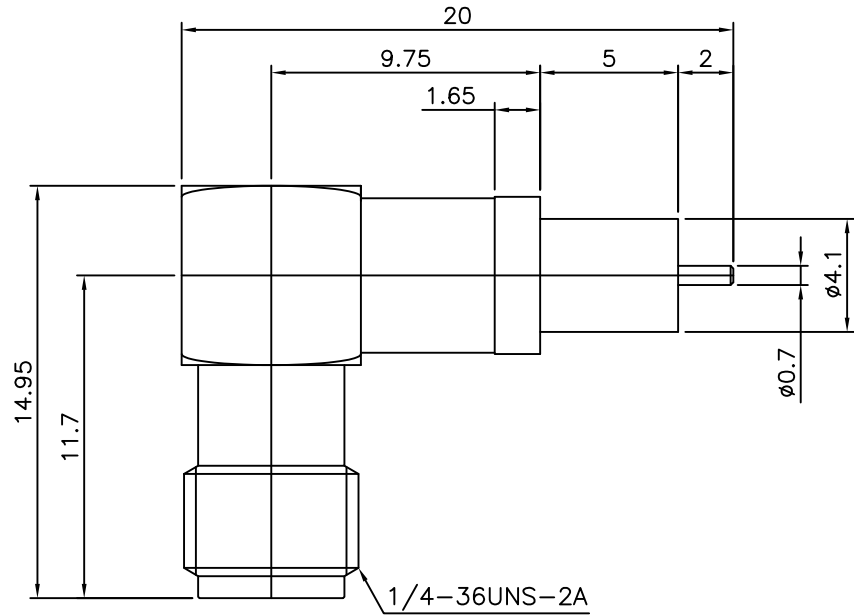


4	5	6
No.	Revision	Date
△		
△		

RoHS Compliant



Connector parts	Materials	Finish
Body	Brass	Nickel plated
Center contact	Brass	Gold plated
Insulator	BeCu	Gold plated
	PTFE	-

SMA Right Angle -2H JACK
PANEL Receptacle

NO.	DESCRIPTION	Q'TY	MATERIAL	FINISH	REMARKS.
PARTS No.	SMA-508-038	NAME	SMA-LJ-2H RECEP.		APPROVED
MATERIAL	FINISH	TOLERANCES OTHERWISE SPEC. ±0.05		ANGLES ±1°	CHECKED
SCALE		UNIT	mm		DESIGNED S.J.LEE
DWG NO.		SMA-508-038		DATE.	29/MAY/2007

CUSTOMER

