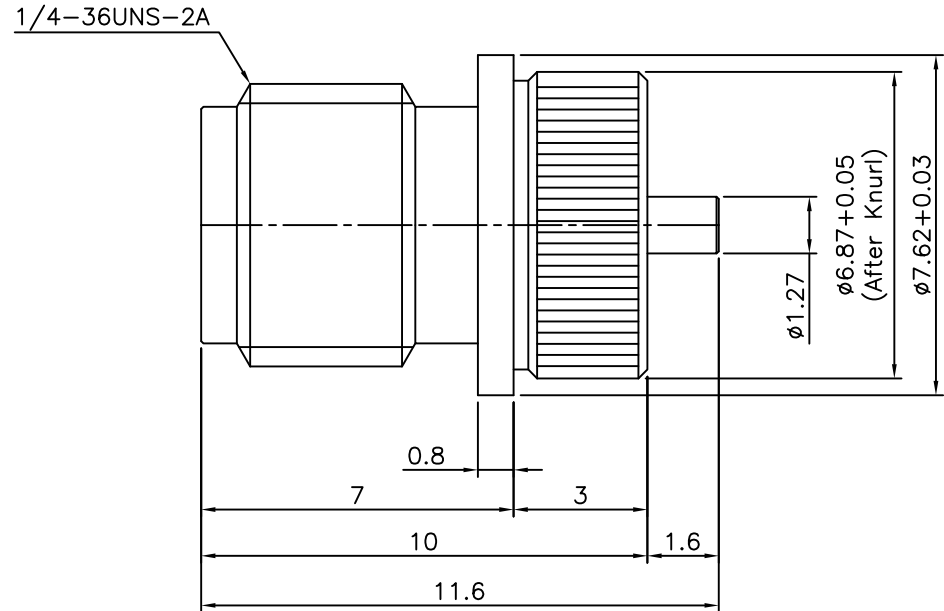


4	5	6
No.	Revision	Date
△	PN Change from 1S-604-00	10/FEB/2014
△		
Name		Name
		S.J.PARK



SMA-STRAIGHT JACK
PRESS-IN RECEPTACLE

Connector parts	Materials	Finish
Body	Brass	Gold Plated
Center contact	BeCu	Gold Plated
Insulator	TEFLON	-

NO.	DESCRIPTION	Q'TY	MATERIAL	FINISH	REMARKS.
PARTS No.	SMA-509-001	NAME	SMA-SJ PRESS IN RECEP		APPROVED
MATERIAL	FINISH	TOLERANCES	OTHERWISE SPEC. ± 0.05 ANGLES $\pm 1^\circ$		CHECKED
SCALE		UNIT	mm		DESIGNED S.J.LEE
DWG NO.		SMA-509-001		DATE.	2003/1/10

CUSTOMER

