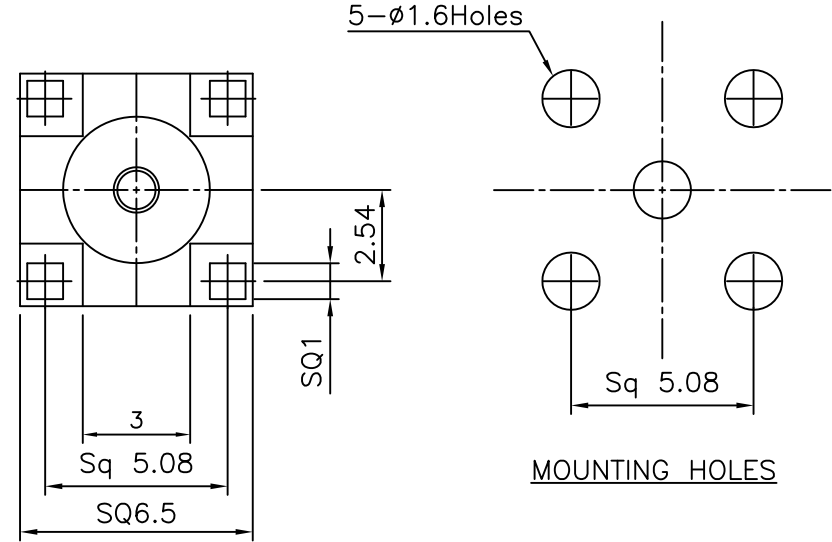
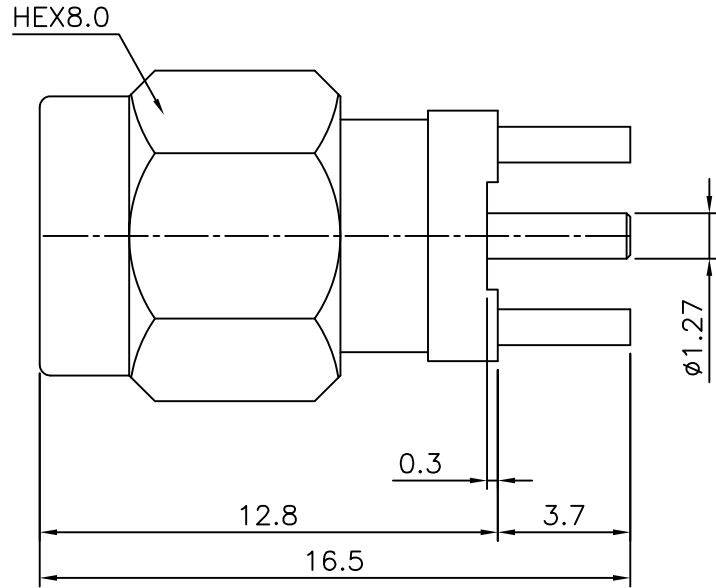


4	5	6	
No.	Revision	Date	Name
△	PN Change from 1S-511-01	10/FEB/2014	S.J.PARK
△			



Connector parts	Materials	Finish
Coupling Cap	Brass	Gold Plated
Body	Brass	Gold Plated
Center contact	Brass	Gold Plated
Insulator	TEFLON	-

SMA-Straight-PCB PLUG

NO.	DESCRIPTION	Q'TY	MATERIAL	FINISH	REMARKS.
PARTS No.	SMA-601-001	NAME		SMA-SP-PCB	APPROVED
MATERIAL	FINISH	TOLERANCES		OTHERWISE SPEC. ±0.05	ANGLES ±1°
CHECKED		SCALE	UNIT	mm	DESIGNED
S.J.LEE		DWG NO.		SMA-601-001	DATE.
2003/1/10		DONGJIN TI.			

CUSTOMER

