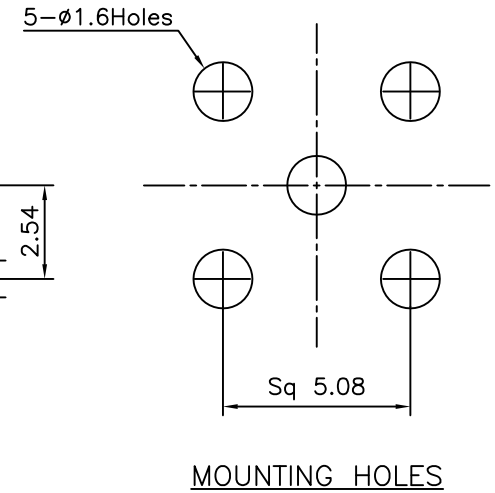
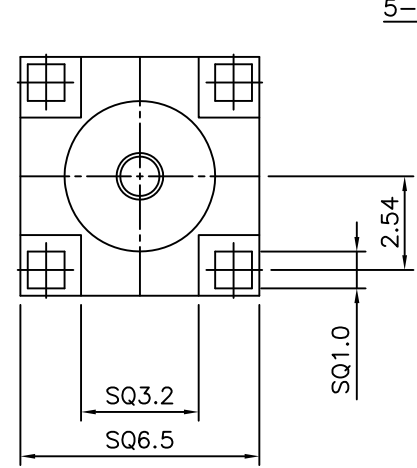
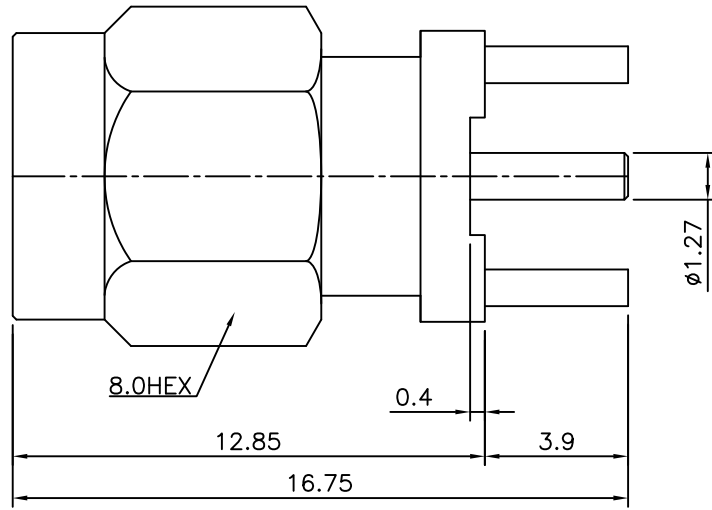


No.	Revision	Date	Name
△	PN Change from 1S-511RP-S39	11/FEB/2014	S.J.PARK
△			



Connector parts	Materials	Finish
Coupling Cap	Brass	Gold Plated
Body	Brass	Gold Plated
Center contact	Beryllium copper	Gold Plated
Insulator	PTFE	-
Gasket	Silicone rubber	-

SMA STRAIGHT PLUG PCB  
(REVERSE POLARITY)

NO.	DESCRIPTION	Q'TY	MATERIAL	FINISH	REMARKS.
PARTS No.	SMA-601-005	NAME	SMA-SP-PCB(R.P)		APPROVED
MATERIAL	FINISH	TOLERANCES OTHERWISE SPEC. ±0.05		ANGLES ±1°	CHECKED
SCALE		UNIT	mm		DESIGNED S.J.LEE
DWG NO.		SMA-601-005		DATE.	05/APR/2007

CUSTOMER



DONGJIN TI.