

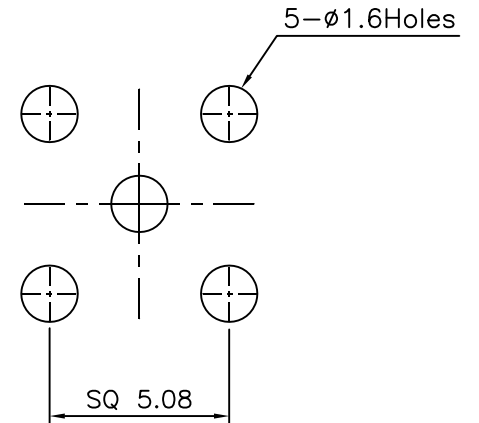
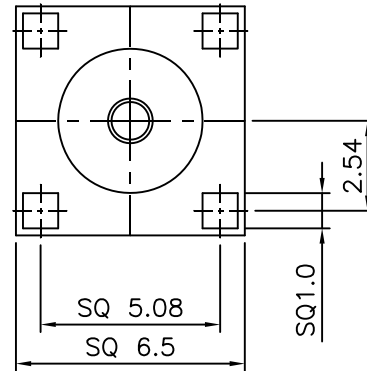
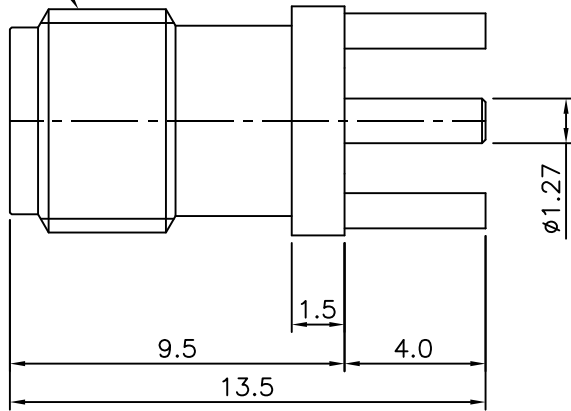
1 2 3 4 5 6

No.	Revision	Date	Name
▲	PN Change from 1S-521-00	03/SEP/2013	S.J.PARK
▲			

ELECTRICAL RATINGS
 Impedance: 50ohm
 Frequency Range: DC~18GHz
 Insulation Resistance: 5000MΩ min
 Contact Resistance: < 3MΩ
 Working Voltage: 335 VRMS max
 Dielectric Withstanding Voltage: 1000V min

RoHS Compliant

1/4-36UNS-2A



MOUNTING HOLES

Connector parts	Materials	Finish
Body	Brass	Gold Plated
Center contact	Beryllium copper	Gold Plated
Insulator	TEFLON	-

SMA-Straight-PCB JACK

CUSTOMER

NO.	DESCRIPTION	Q'TY	MATERIAL	FINISH	REMARKS.
PARTS No.	SMA-602-001		NAME	SMA-F-PCB	APPROVED
MATERIAL	FINISH	TOLERANCES OTHERWISE SPEC. ±0.05		ANGLES ±1°	CHECKED
		SCALE	UNIT mm		DESIGNED S.J.LEE
		DWG NO.		SMA-602-001	DATE. 07/MAY/2006