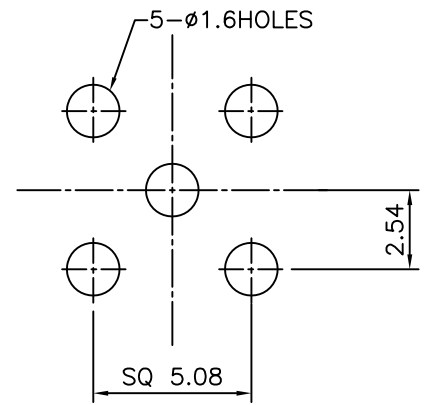
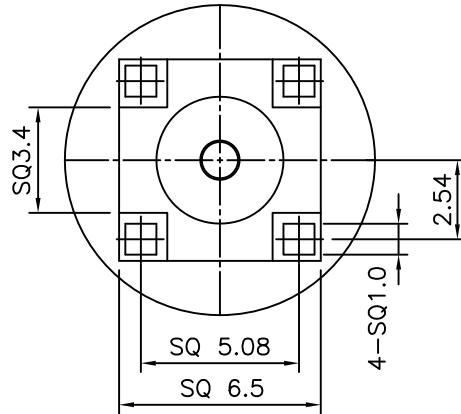
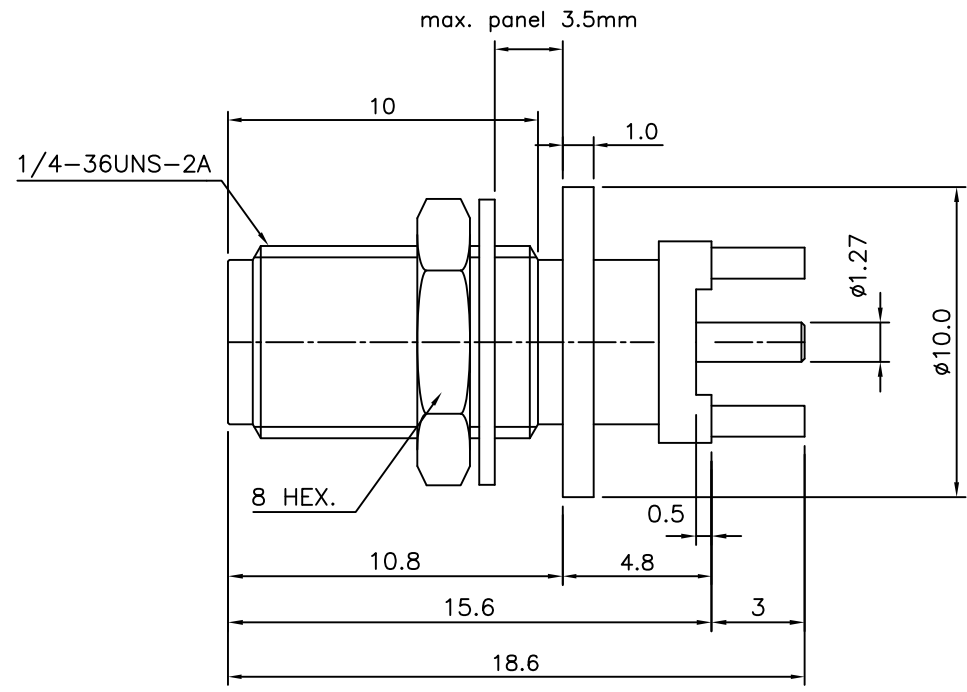


4	5	6
No.	Revision	Date
△		
△		

RoHS Compliant



PCB MOUNTING HOLES

SPECIFICATION

Dielectric Withstanding Voltage : 1000V min  
 Working Voltage : < 335W  
 Characteristics impedance : 50 ohm  
 Frequency Range : DC~18GHz  
 Insulation Resistance : 5000MΩ min  
 Contact Resistance : < 3mΩ  
 Contact Resistance Outer Conductor : < 2mΩ

3	CENTER CONTACT	1	BERYLLIUM COPPER	Gold Plated	
2	INSULATOR	1	PTFE		
1	BODY	1	BRASS	Gold Plated	
NO.	DESCRIPTION	Q'TY	MATERIAL	FINISH	REMARKS.

PARTS No. SMA-602-029		NAME SMA-ST-PCB JACK		APPROVED S.J.LEE	
MATERIAL	FINISH	TOLERANCES OTHERWISE SPEC. ±0.05		CHECKED	
		ANGLES ±1°		DESIGNED B.G.YUN	
SCALE	UNIT mm	DWG NO. SMA-602-029		DATE. 29/JAN/2014	

CUSTOMER

