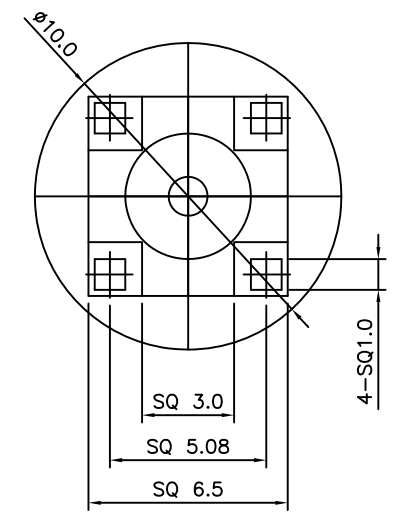
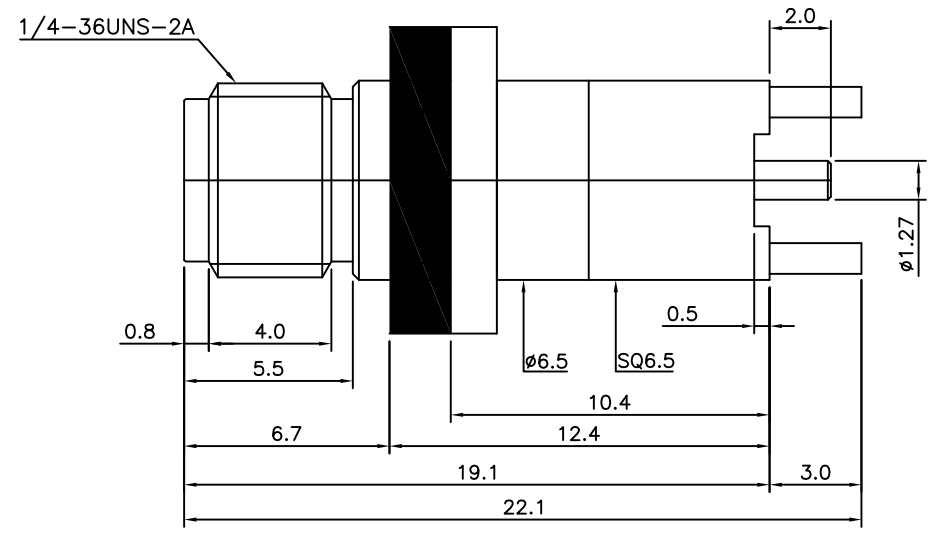


1                      2                      3                      4                      5                      6

No.	Revision	Date	Name
△			
△			

RoHS Compliant



Connector parts	Materials	Finish
Body	Brass	Nickel plated
Center contact	BeCu	Gold plated
Insulator	PTFE	-
EMI Gasket	-	-

SMA-ST JACK PCB

NO.	DESCRIPTION	Q'TY	MATERIAL	FINISH	REMARKS.
PARTS No.	SMA-602-035	NAME	SMA-SJ PCB		APPROVED
MATERIAL	FINISH	TOLERANCES OTHERWISE SPEC. ±0.05		ANGLES ±1°	CHECKED
SCALE		UNIT	mm		DESIGNED S.J.LEE
DWG NO.		SMA-602-035		DATE.	29/MAY/2007

CUSTOMER

