

SPECIFICATION

Dielectric Withstanding Voltage : 1000V min
 Working Voltage : < 335W
 Characteristics impedance : 50 ohm
 Frequency Range : DC~18GHz
 Insulation Resistance : 5000MΩ min
 Contact Resistance : < 3mΩ
 Contact Resistance Outer Conductor : < 2mΩ
 Temperature range : -65~+125°C
 VSWR : <1.07+0.01F
 Insertion Loss : 0.15dB@6GHz

No.	Revision	Date	Name
△	PN Change from 1S-542-W160	10/FEB/2014	S.J.PARK
△			

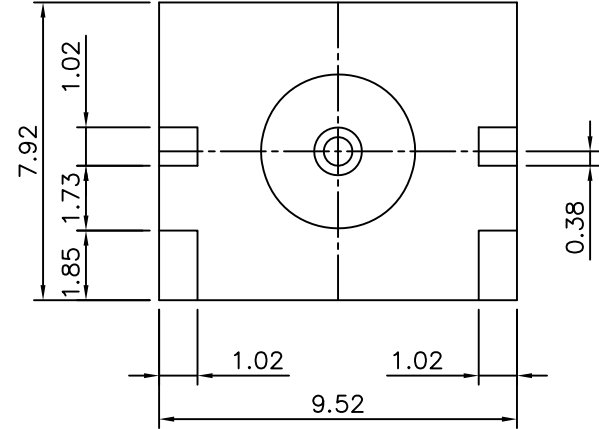
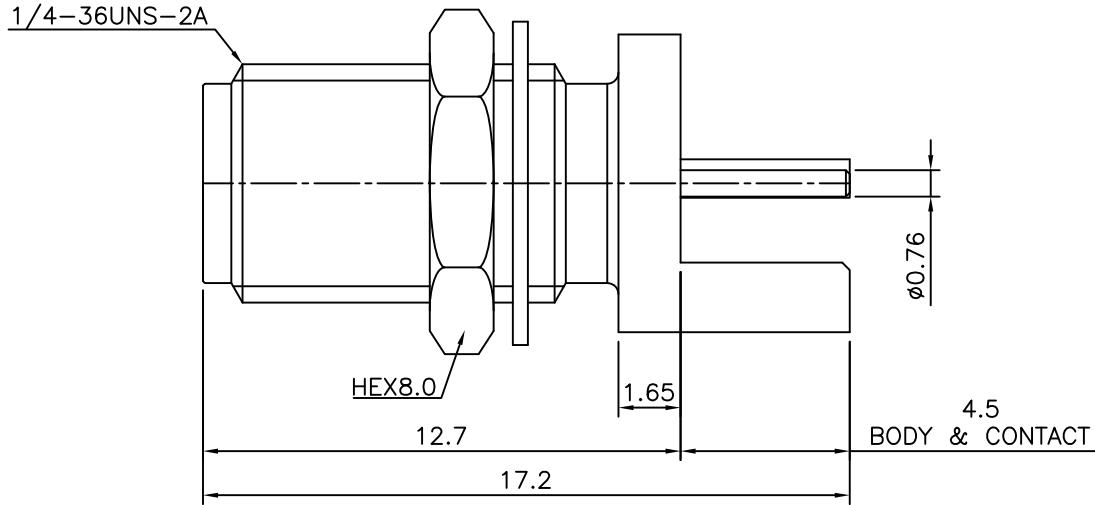
D

C

→

B

A



SMA End Launch Bulkhead Jack Receptacle
 -Round Contact(1.60Board)

Connector parts	Materials	Finish
Body,Nut,Washer	Brass	Gold Plated
Center contact	BeCu	Gold Plated
Insulator	TEFLON	-

CUSTOMER

NO.	DESCRIPTION	Q'TY	MATERIAL	FINISH	REMARKS.
PARTS No.	SMA-604-004		NAME	SMA-Side/BJ-PCB	APPROVED
MATERIAL	FINISH	TOLERANCES OTHERWISE SPEC. ±0.05		ANGLES ±1°	CHECKED
		SCALE	UNIT mm		DESIGNED S.J.LEE
		DWG NO.	SMA-604-004		DATE. 2003/1/10

