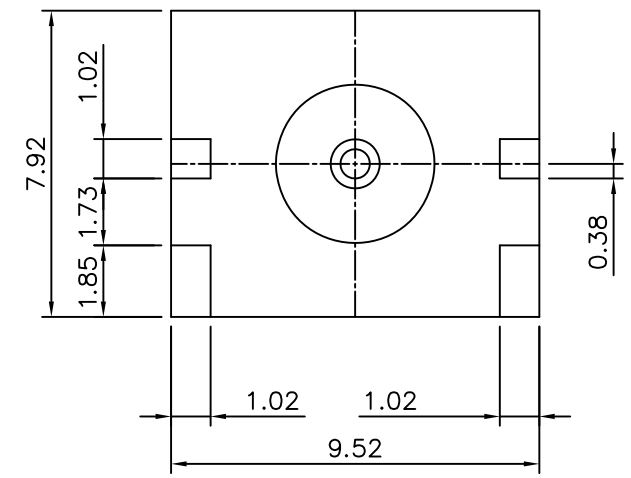
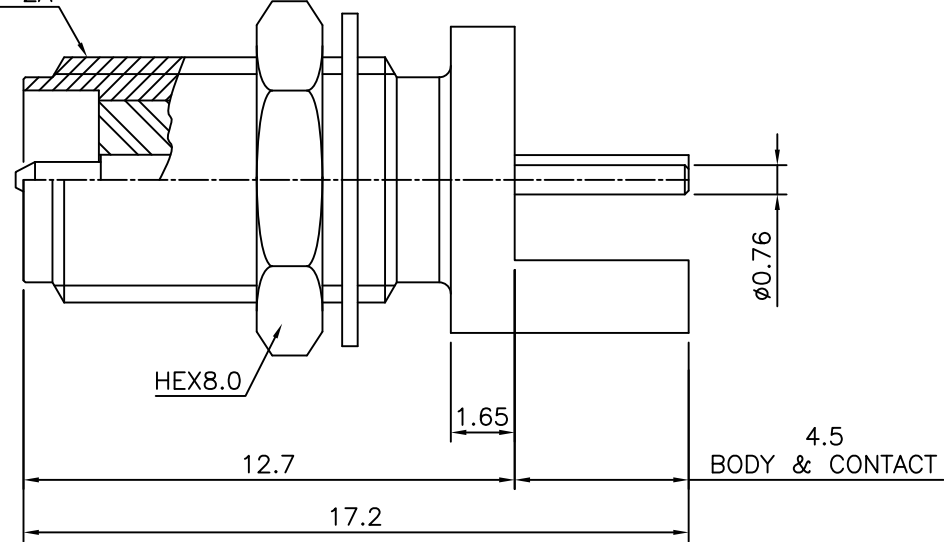


4	5	6	
No.	Revision	Date	Name
△	PN Change from 1S-522RP-WL160	11/FEB/2014	S.J.PARK
△			

RoHS Compliant

1/4-36UNS-2A



SMA End Launch Bulkhead Jack Receptacle
-Round Contact(1.57Board)
(REVERSE POLARITY)

Connector parts	Materials	Finish
Body,Nut,Washer	Brass	Gold Plated
Center contact	Brass	Gold Plated
Insulator	TEFLON	-

CUSTOMER

NO.	DESCRIPTION	Q'TY	MATERIAL	FINISH	REMARKS.
PARTS No.	SMA-604-040		NAME	SMA-BJ-PCB(R.P)	APPROVED
MATERIAL	FINISH	TOLERANCES			CHECKED
		OTHERWISE SPEC. ±0.05		ANGLES ±1°	
		SCALE	UNIT		DESIGNED
			mm		S.J.LEE
		DWG NO.	SMA-604-040		DATE.
					11/MAY/2006

