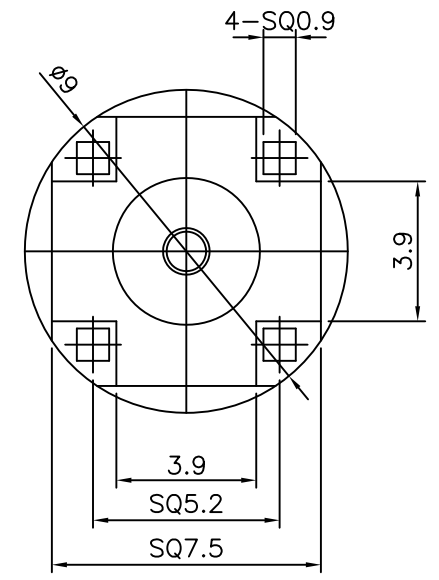
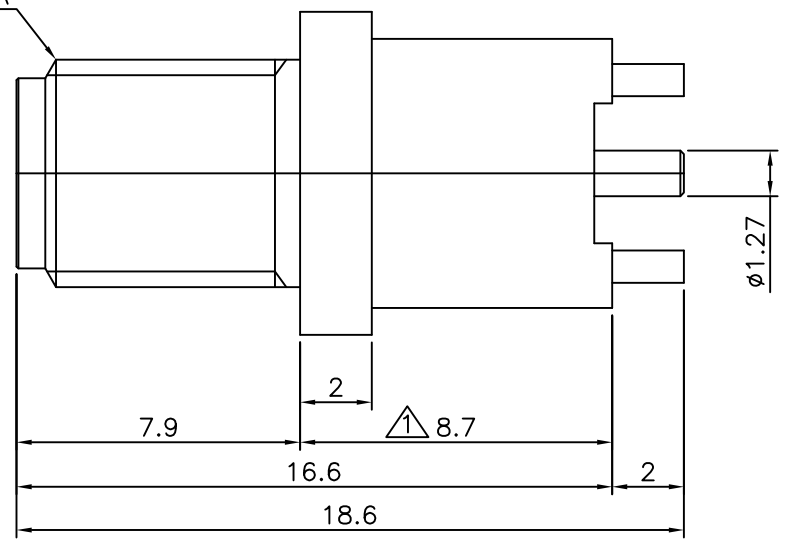


No.	Revision	Date	Name
△	Length Change from 9.9mm to 8.7mm	08/APR/2014	S.J.PARK
△			

D  
C  
B  
A

1/4-36UNS-2A



SMA-Bulkhead JACK PCB

Connector parts	Materials	Finish
Body	Brass	Gold Plated
Center contact	Beryllium copper	Silver Plated
Insulator	PTFE	-

CUSTOMER

NO.	DESCRIPTION	Q'TY	MATERIAL	FINISH	REMARKS.
PARTS No.	SMA-606-029		NAME	SMA-BJ PCB	APPROVED K.Y.SON
MATERIAL	FINISH	TOLERANCES OTHERWISE SPEC. $\pm 0.05$ ANGLES $\pm 1^\circ$		CHECKED M.K.KIM	
SCALE N/S		UNIT mm	DESIGNED S.J.PARK		
DWG NO.		SMA-606-029		DATE. 13/MAR/2014	

