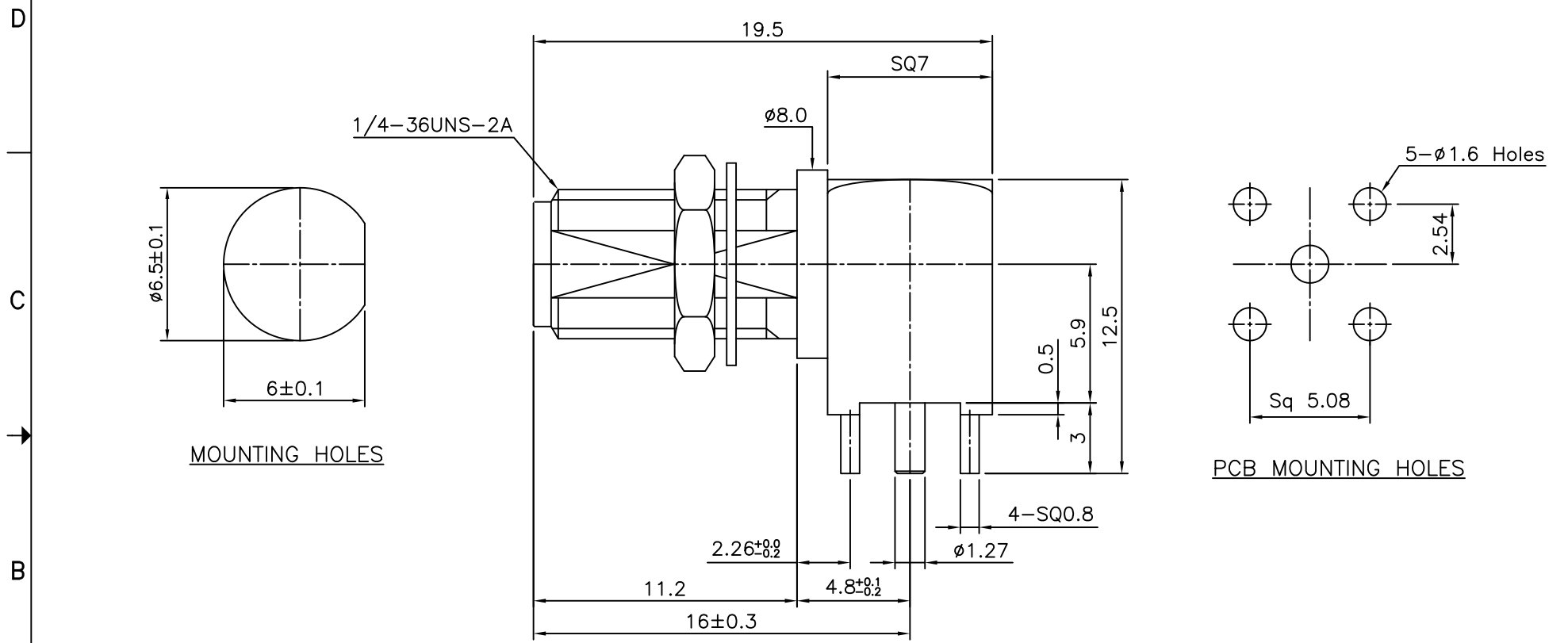


No.	Revision	Date	Name
▲	PN Change from 1S-742-S160	11/FEB/2014	S.J.PARK
▲			



Connector parts	Materials	Finish
Body	Brass	Gold Plated
Center contact	Beryllium copper	Gold Plated
	Brass	Gold Plated
Nut,Washer	Brass	Gold Plated
Insulator	PTFE	-

SMA-Right Angle Bulkhead
JACK PCB MOUNT

NO.	DESCRIPTION	Q'TY	MATERIAL	FINISH	REMARKS.
PARTS No.	SMA-608-003		NAME	SMA-LBJ-PCB	APPROVED
MATERIAL	FINISH	TOLERANCES OTHERWISE SPEC. ± 0.05		ANGLES $\pm 1^\circ$	CHECKED
		SCALE	UNIT mm		DESIGNED S.J.LEE
		DWG NO.	SMA-608-003	DATE	08/MAY/2007

CUSTOMER



DONGJIN TI.