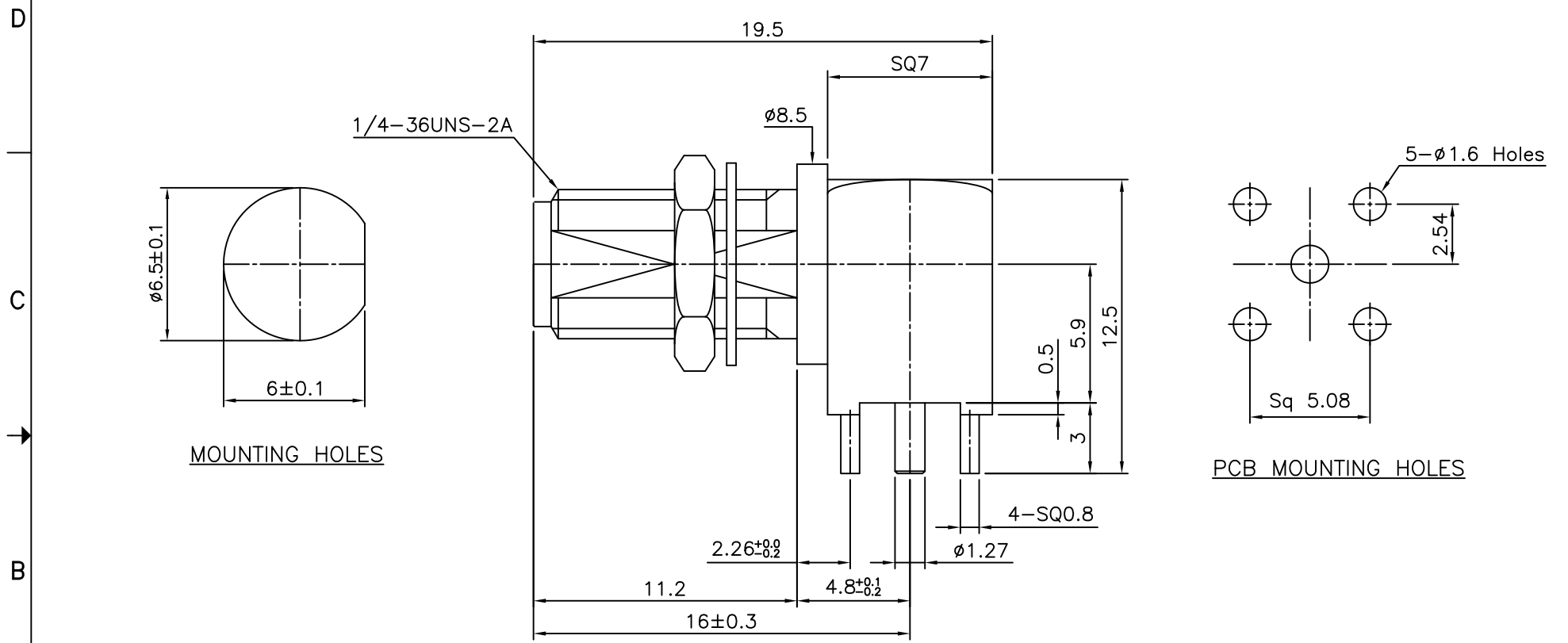


No.	Revision	Date	Name
▲	PN Change from 1S-742-S19564	11/FEB/2014	S.J.PARK
▲			



Connector parts	Materials	Finish
Body	Brass	Gold Plated
Center contact	Beryllium copper	Gold Plated
	Brass	Gold Plated
Nut, Washer	Brass	Gold Plated
Insulator	PTFE	-

SMA-Right Angle Bulkhead
JACK PCB MOUNT

CUSTOMER

NO.	DESCRIPTION	Q'TY	MATERIAL	FINISH	REMARKS.
PARTS No.	SMA-608-004		NAME	SMA-LBJ-PCB	APPROVED
MATERIAL	FINISH	TOLERANCES OTHERWISE SPEC. ± 0.05		ANGLES $\pm 1^\circ$	CHECKED
SCALE		UNIT	mm		DESIGNED S.J.LEE
DWG NO.		SMA-608-004		DATE	08/MAY/2007

