

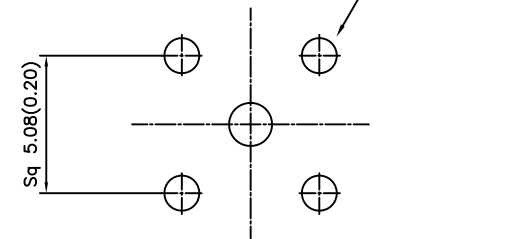
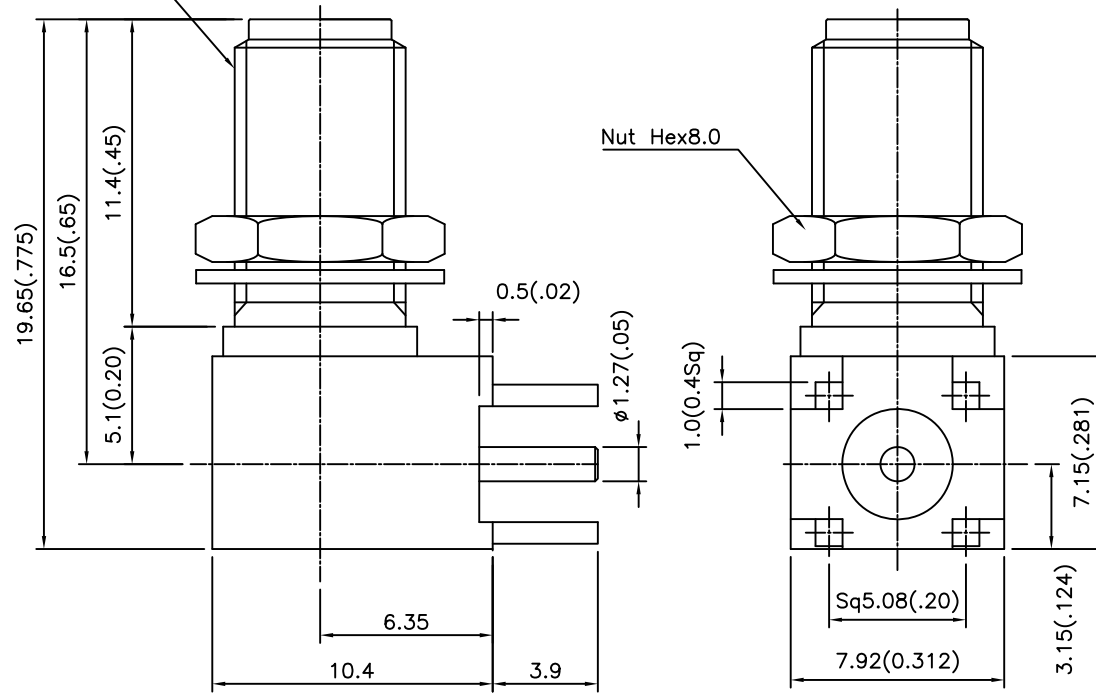
4	5	6	
No.	Revision	Date	Name
▲	PN Change from 1S-742-S6439R	06/11/2013	B.G.YUN
▲			

RoHS Compliant

1/4-36UNS-2A

Nut Hex8.0

5- ϕ 1.6Hole



SMA-Right Angle Bulkhead
JACK PCB MOUNT

Connector parts	Materials	Finish
Body,Nut	Brass	Gold Plated
Center contact	Beryllium copper	Gold Plated
	Brass	
Insulator	PTFE	-

CUSTOMER

NO.	DESCRIPTION	Q'TY	MATERIAL	FINISH	REMARKS.
PARTS No.	SMA-608-026		NAME	SMA-LBJ-PCB	APPROVED
MATERIAL	FINISH	TOLERANCES OTHERWISE SPEC. \pm 0.05		ANGLES \pm 1°	CHECKED
		SCALE	UNIT mm		DESIGNED S.J.LEE
		DWG NO.	SMA-608-026		DATE. 20/MAY/2008

