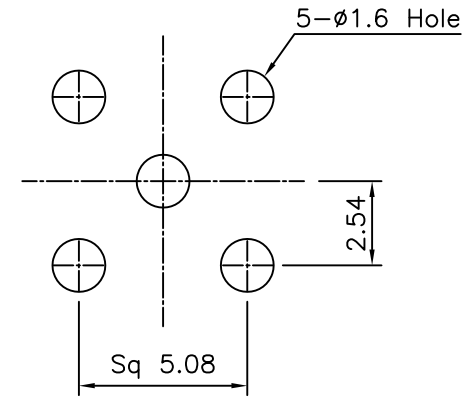
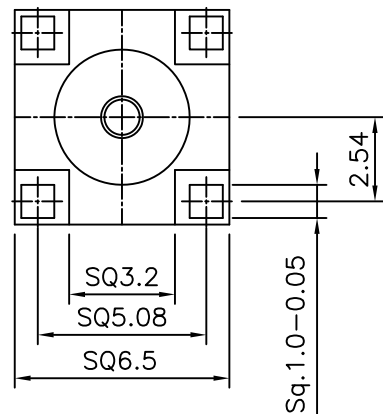
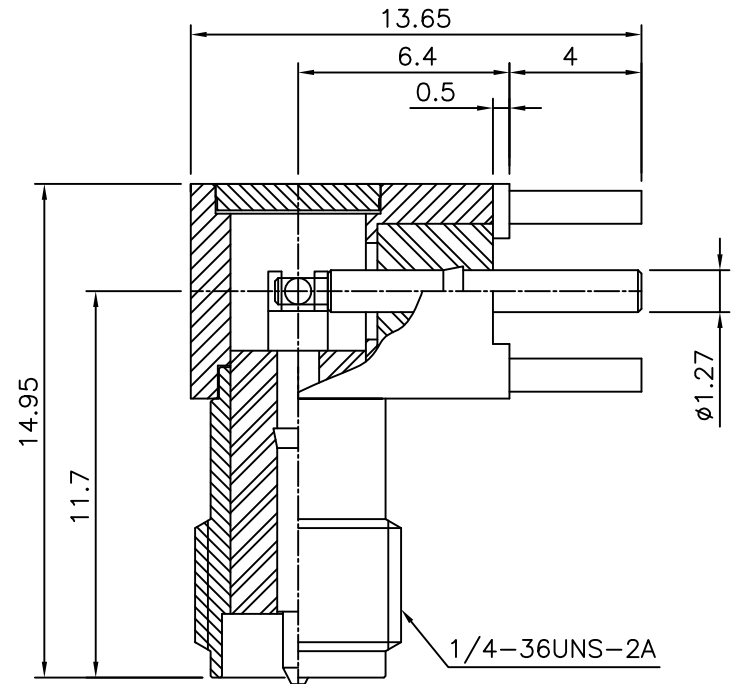


4	5	6	
No.	Revision	Date	Name
▲	PN Change from 1S-710RP-6440	11/FEB/2014	S.J.PARK
▲			

RoHS Compliant



PCB MOUNT HOLE

SMA Right Angle JACK
PCB Receptacle
(Reverse Polarity)

Connector parts	Materials	Finish
Body	Brass	Gold plated
Center contact	Brass	Gold plated
Insulator	TEFLON	-

CUSTOMER

NO.	DESCRIPTION	Q'TY	MATERIAL	FINISH	REMARKS.
PARTS No.	SMA-608-029		NAME	SMA-LJ-PCB	APPROVED
MATERIAL	FINISH	TOLERANCES OTHERWISE SPEC. ±0.05		ANGLES ±1°	CHECKED
		SCALE	UNIT mm		DESIGNED S.J.LEE
		DWG NO.		SMA-608-029	DATE. 12/JAN/2007

