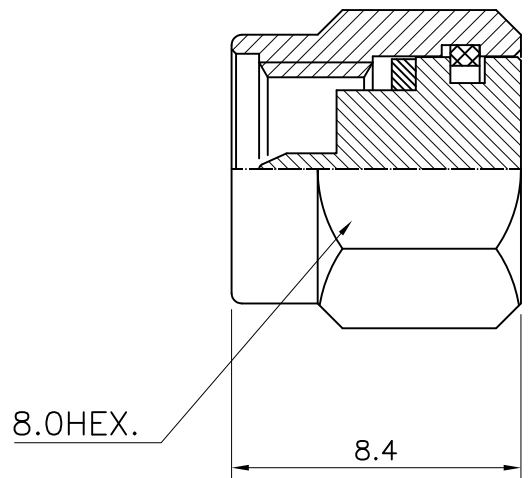


No.	Revision	Date	Name
△1	PN Change from 1S-001-00	19/07/2013	B.G.YUN
△			

RoHS Compliant



SMA-PLUG  
(SHORT CIRCUITS)

Connector parts	Materials	Finish
Coupling Cap	Brass	Gold Plated
Body	Brass	Gold Plated
Gasket	Silicone rubber	

NO.	DESCRIPTION	Q'TY	MATERIAL	FINISH	REMARKS.
PARTS No.	SMA-701-003		NAME	SMA-PLUG SHORT	APPROVED
MATERIAL	FINISH	TOLERANCES OTHERWISE SPEC. ±0.05		ANGLES ±1°	CHECKED
<i>CUSTOMER</i>		SCALE	UNIT mm		DESIGNED S.J.LEE
	DONGJIN TI.	DWG NO.	SMA-701-003		DATE. 24/JUN/2004