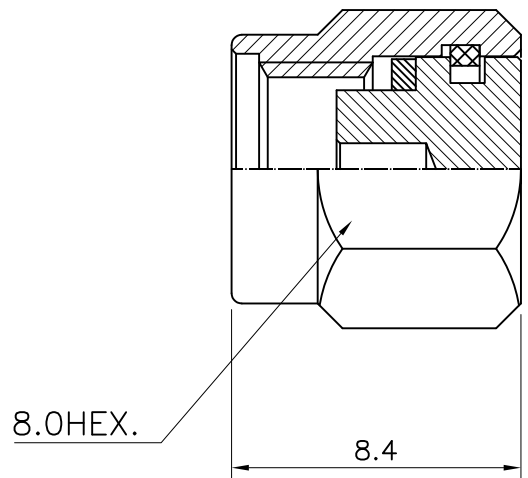


No.	Revision	Date	Name
△	PN Change from 1S-002S-001	26/08/2013	B.G.YUN
△			

RoHS Compliant



SMA-MALE DUST CAP

Connector parts	Materials	Finish
Coupling Cap	Stainless steel	Passivated
Body	Stainless steel	Passivated
Gasket	Silicone rubber	

NO.	DESCRIPTION	Q'TY	MATERIAL	FINISH	REMARKS.
PARTS No.	SMA-701-012		NAME	SMA-MALE CAP	APPROVED
MATERIAL	FINISH	TOLERANCES OTHERWISE SPEC. ±0.05		ANGLES ±1°	CHECKED
<i>CUSTOMER</i>		SCALE	UNIT mm		DESIGNED S.J.LEE
		DWG NO. SMA-701-012		DATE. 24/JUN/2004	