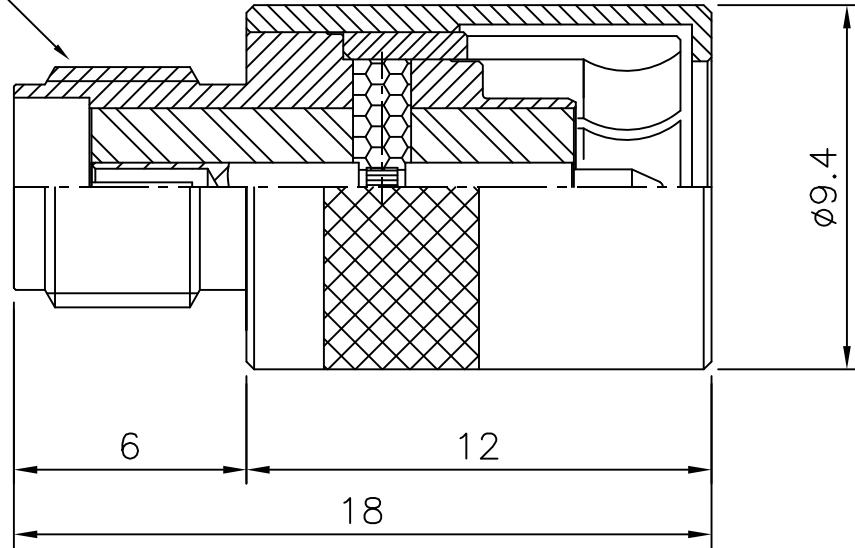


4	5	6	
No.	Revision	Date	Name
△	PN Change from 1S-802-P03	19/AUG/2013	S.J.PARK
△			

RoHS Compliant

1/4-36UNS-2A



SPECIFICATION

Dielectric Withstanding Voltage : 1000V min
 Working Voltage : 500 VRMS Max.
 Impedance : 50 ohm
 Frequency Range : DC~18GHz
 V.S.W.R : 1.10:1 @ DC~12GHz
 1.35:1 @ 12~18GHz
 Insulation Resistance : 5000MΩ min
 Contact Resistance : < 3mΩ
 Durability : 200 Cycles Min.

SMA JACK to PLUG
(PUSH-ON), ADAPTOR

Connector parts	Materials	Finish
Body	Brass	Gold plated
Outer contact	Beryllium copper	Gold plated
Center contact	Beryllium copper	Gold plated
Insulator	PTFE	-

CUSTOMER

NO.	DESCRIPTION	Q'TY	MATERIAL	FINISH	REMARKS.
PARTS No.	SMA-802-005		NAME	SMA/PJ(Push-on)ADAP.	APPROVED
MATERIAL	FINISH	TOLERANCES OTHERWISE SPEC. ±0.05		ANGLES ±1°	CHECKED
		SCALE	UNIT		DESIGNED S.J.LEE
		N/S	mm		DATE. 04/JUL/2007
		DWG NO.		SMA-802-005	