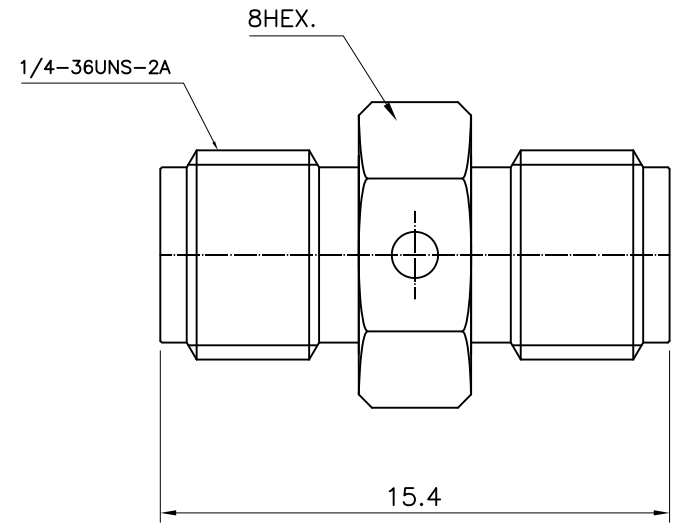


No.	Revision	Date	Name
△	PN Change from 1S-803-00	20/06/2013	B.G.YUN
△			

RoHS Compliant

SPECIFICATIONS

Impedance : 50 ohm
 Frequency Range : DC~18GHz
 V.S.W.R : 1.20:1
 Insulation Resistance : 5000MΩ min
 Contact Resistance : < 3mΩ
 Working Voltage : 335 VRMS max
 Dielectric Withstanding Voltage : 1000V min
 Operating Temperature range; -45°C~85°C
 Durablity; 500 Cycles



SMA JACK to JACK-ADAPTOR

Item	Materials	Plating
Body	Brass	Gold Plated
Center contact	Beryllium copper	Gold Plated
Insulator	PTFE	-

CUSTOMER

NO.	DESCRIPTION	Q'TY	MATERIAL	FINISH	REMARKS.
PARTS No.	SMA-803-001		NAME	SMA-JJ ADAPTOR	APPROVED
MATERIAL	FINISH	TOLERANCES OTHERWISE SPEC. ±0.05		ANGLES ±1°	CHECKED
SCALE N/S		UNIT mm			DESIGNED S.J.LEE
DONGJIN TI.		DWG NO.		SMA-803-001	DATE. 04/MAY/2012