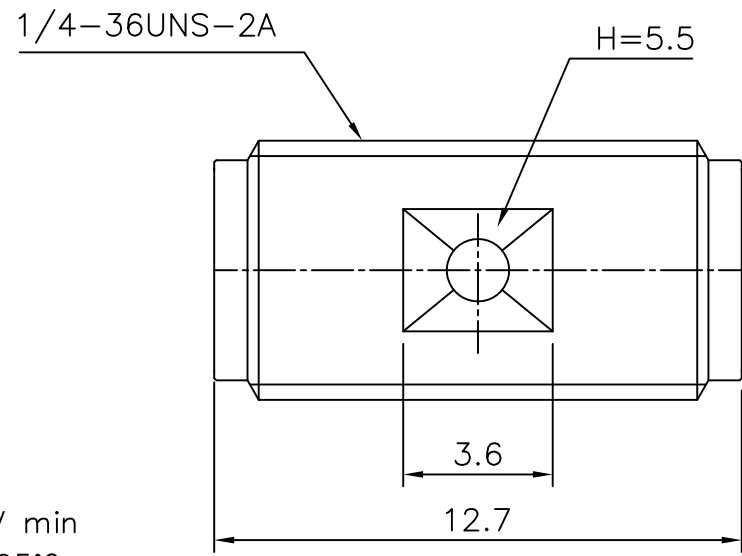


4	No.	Revision	5	Date	6	Name
	△	PN Chnage from 1S-803-127		22/OCT/2013		S.J.PARK
	△					

RoHS Compliant



SPECIFICATIONS

Impedance : 50 ohm
 Frequency Range : DC~18GHz
 V.S.W.R : 1.30:1@18GHz
 Insulation Resistance : 5000MΩ min
 Contact Resistance : < 3mΩ
 Working Voltage : 335 VRMS max
 Dielectric Withstanding Voltage : 1000V min
 Operating Temperature range; -65°C~165°C
 Duarblity; 500 Cycles

SMA-FEED THRU
 FEMALE to FEMALE Adaptor
 (Epoxy Captivated)

Item	Materials	Plating
Body	Brass	Gold Plated
Center contact	Beryllium copper	Gold Plated
Insulator	PTFE	-

NO.	DESCRIPTION	Q'TY	MATERIAL	FINISH	REMARKS.
PARTS No.	SMA-803-006		NAME	SMA-FT JJ ADAP.	APPROVED
MATERIAL	FINISH	TOLERANCES OTHERWISE SPEC. ±0.05		ANGLES ±1°	CHECKED
SCALE		UNIT	mm		DESIGNED S.J.LEE
DWG NO.		SMA-803-006		DATE. 16/OCT/2012	

CUSTOMER

